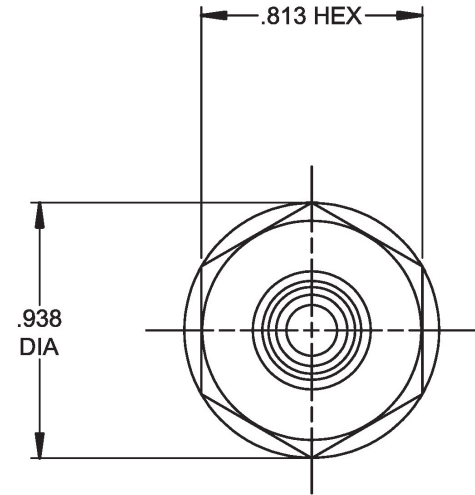
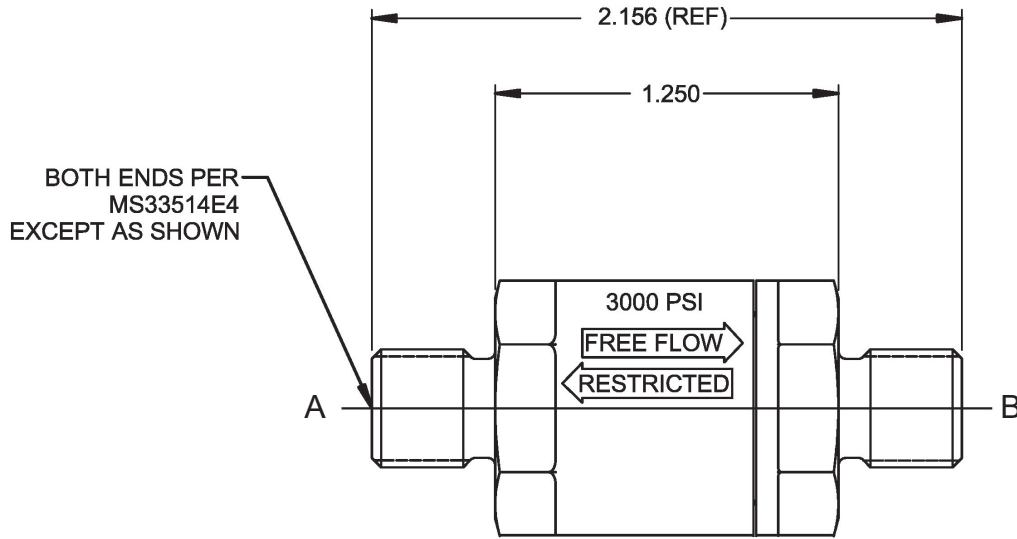




**PART NUMBER: 6F1948 RESTRICTOR VALVE, ONE-WAY, FILTERED**



**PERFORMANCE SPECIFICATIONS:**

FLUIDS: MIL-H-5606 OR MIL-H-6083\*

MATERIAL: BODY 2024-T351 AL

POPPET 303 CRES

TEMPERATURE RANGE: -65°F TO 275°F

OPERATING PRESSURE: 3000 PSIG

PROOF PRESSURE: 4500 PSIG

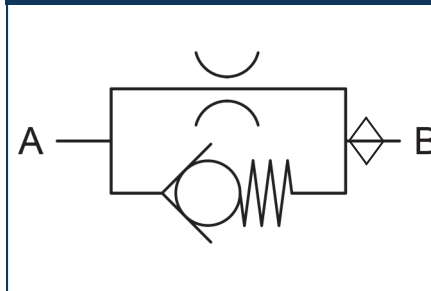
FLOW: SEE TAB BLOCK

FILTRATION: 0.008 TO 0.012 OPENINGS

WEIGHT: .08 LBS MAX

\*OTHER FLUIDS MAY BE ACCEPTABLE WITH ELASTOMER CHANGE

**HYDRAULIC SCHEMATIC**

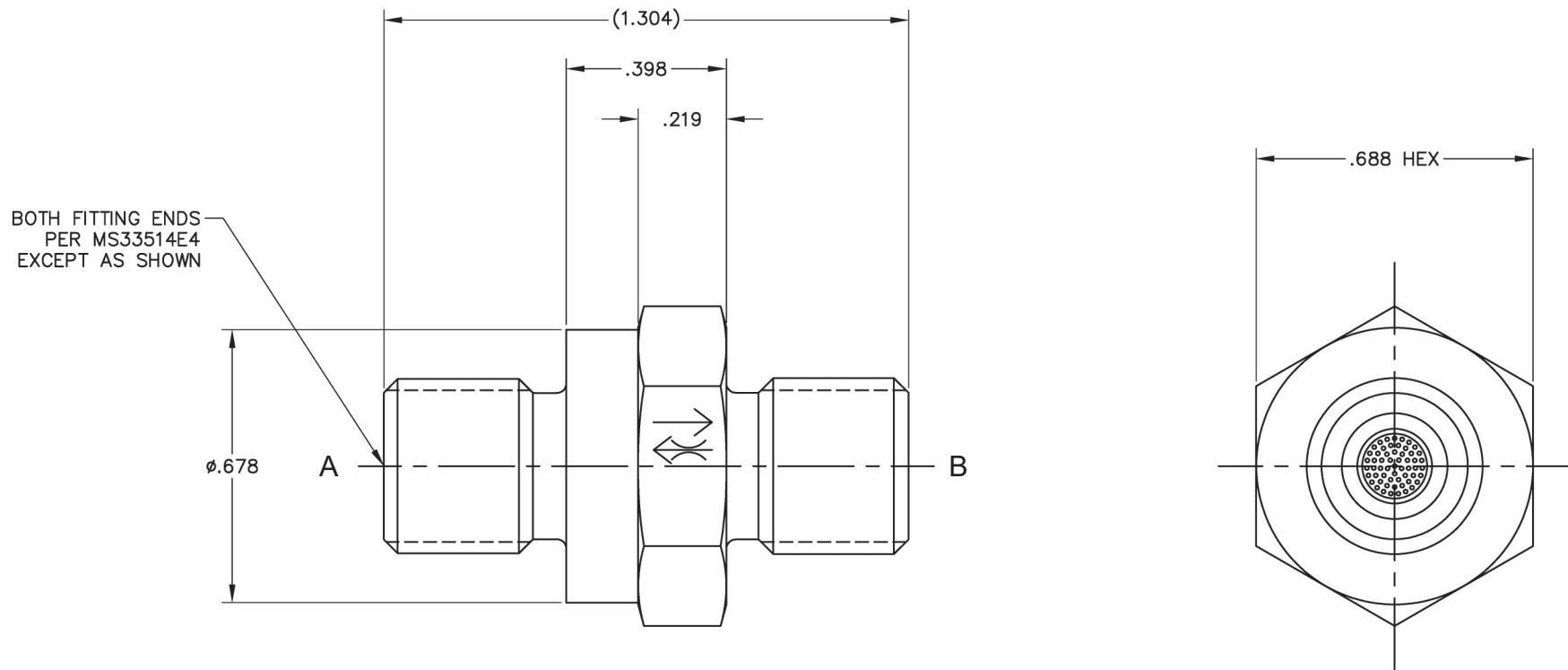


RESTRICTED FLOW (GPM)	PRESS. ΔP (PSID)	FREE FLOW (GPM)	PRESS. ΔP (PSID)
1.25 ± .12	1000	2.0	25
1.77 ± .17	2000	2.0	25
2.16 ± .22	3000	2.0	25

**CATEGORY 3: ONE-WAY RESTRICTOR VALVES FILTERED**



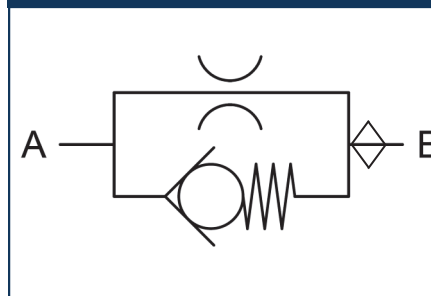
# PART NUMBER: 6F4420 RESTRICTOR VALVE, ONE-WAY, FILTERED



## PERFORMANCE SPECIFICATIONS:

FLUIDS: ANY AIRCRAFT HYDRAULIC FLUID  
MATERIAL: BODY 304 CRES  
POPPET 440C CRES  
TEMPERATURE RANGE:  $-65^{\circ}\text{F}$  TO  $275^{\circ}\text{F}$   
OPERATING PRESSURE: 3000 PSIG  
PROOF PRESSURE: 4500 PSIG  
RESTRICTED FLOW:  $\phi.034 \pm 0.001$  ORIFICE  
FREE FLOW: 1.2 GPM AT 70 PSID MAX  
FILTRATION: 0.008 TO 0.012 OPENINGS  
WEIGHT: .07 LBS MAX

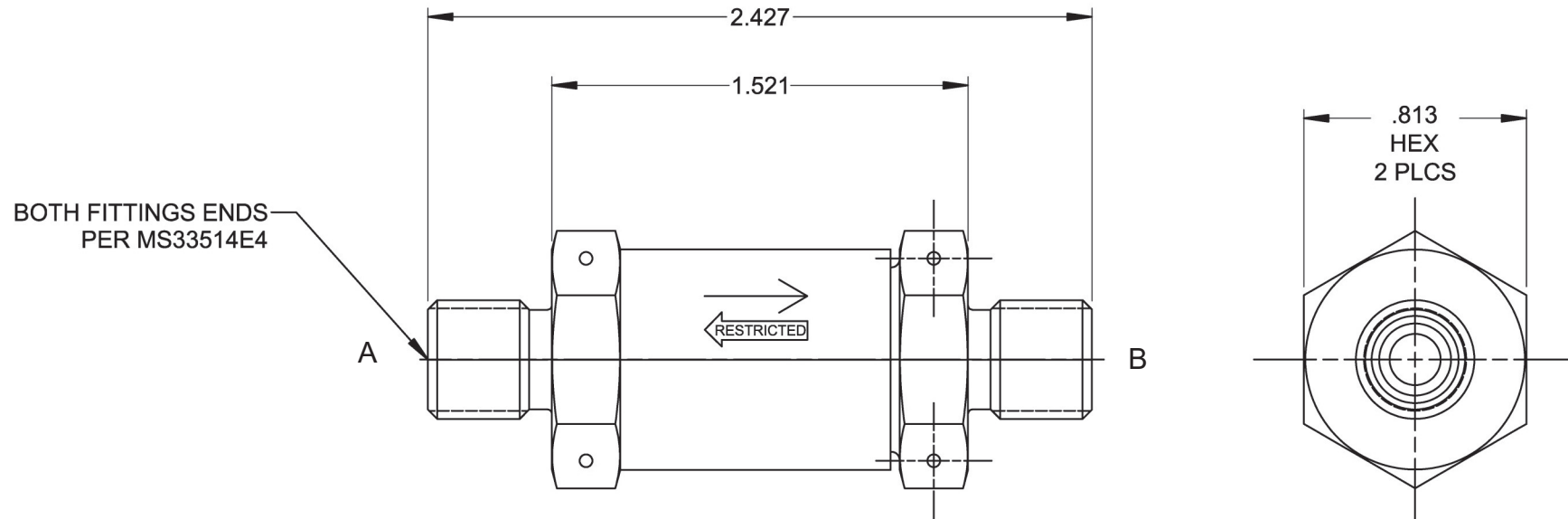
## HYDRAULIC SCHEMATIC



## CATEGORY 3: ONE-WAY RESTRICTOR VALVES FILTERED



## PART NUMBER: 6F4830 RESTRICTOR VALVE, ONE-WAY, FILTERED



### PERFORMANCE SPECIFICATIONS:

FLUIDS: ANY AIRCRAFT HYDRAULIC FLUID

MATERIAL: BODY 7075-T651 AL

POPPET 303 CRES

TEMPERATURE RANGE: -65°F TO 275°F

OPERATING PRESSURE: 3000 PSIG

PROOF PRESSURE: 4500 PSIG

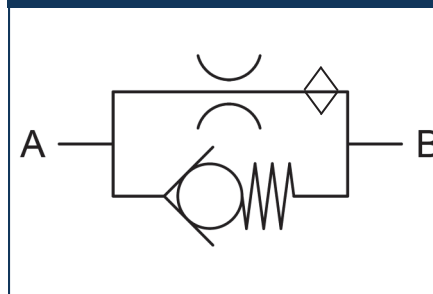
RESTRICTED FLOW:  $1.9 \pm .2$  GPM AT 3000 PSID ( $\varnothing$  .040 ORIFICE)

FREE FLOW: 8 GPM AT 130 PSID MAX

FILTRATION: 200 MICRON

WEIGHT: .095 LBS MAX

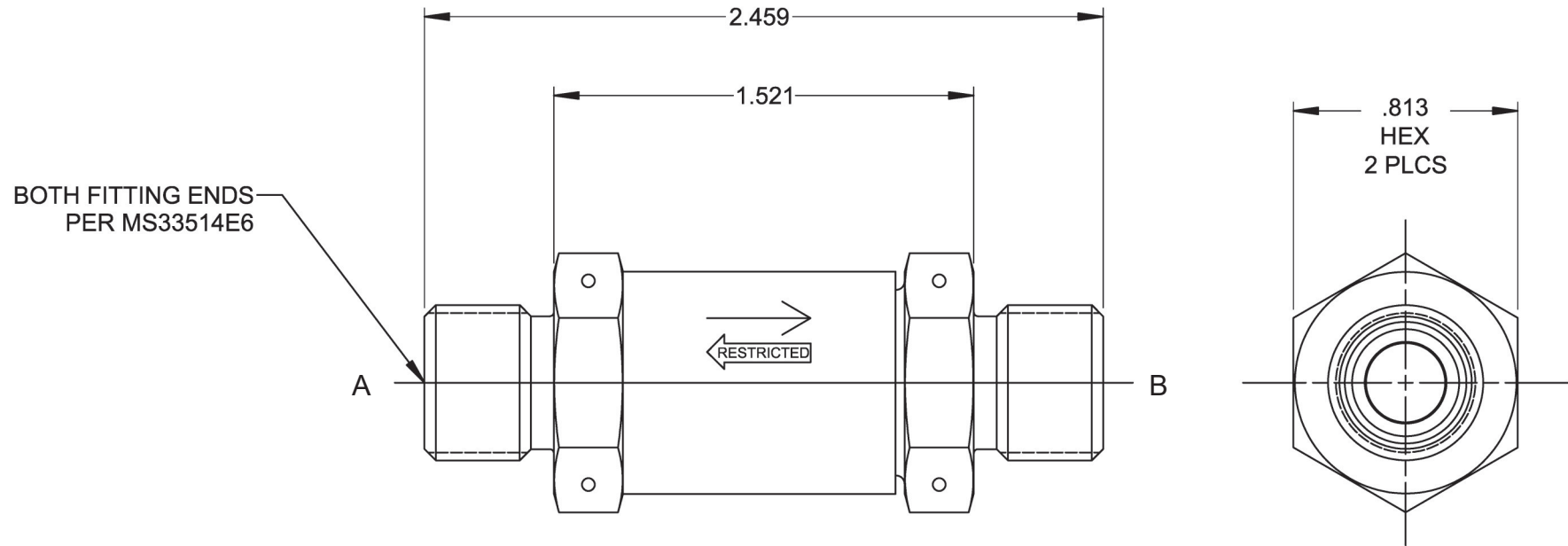
### HYDRAULIC SCHEMATIC



## CATEGORY 3: ONE-WAY RESTRICTOR VALVES FILTERED



# PART NUMBER: 6F4832 RESTRICTOR VALVE, ONE-WAY, FILTERED



## PERFORMANCE SPECIFICATIONS:

FLUIDS: ANY AIRCRAFT HYDRAULIC FLUID

MATERIAL: BODY 7075-T651 AL

POPPET 303 CRES

TEMPERATURE RANGE: -65°F TO 275°F

OPERATING PRESSURE: 3000 PSIG

PROOF PRESSURE: 4500 PSIG

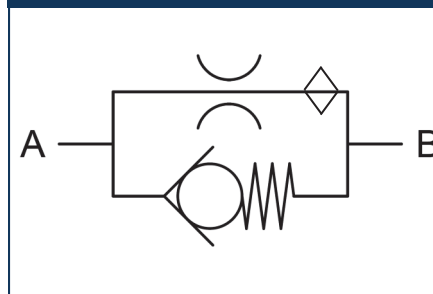
RESTRICTED FLOW: 1.9 ± .2 GPM AT 3000 PSID (Ø .040 ORIFICE)

FREE FLOW: 8 GPM AT 100 PSID MAX

FILTRATION: 200 MICRON

WEIGHT: .095 LBS MAX

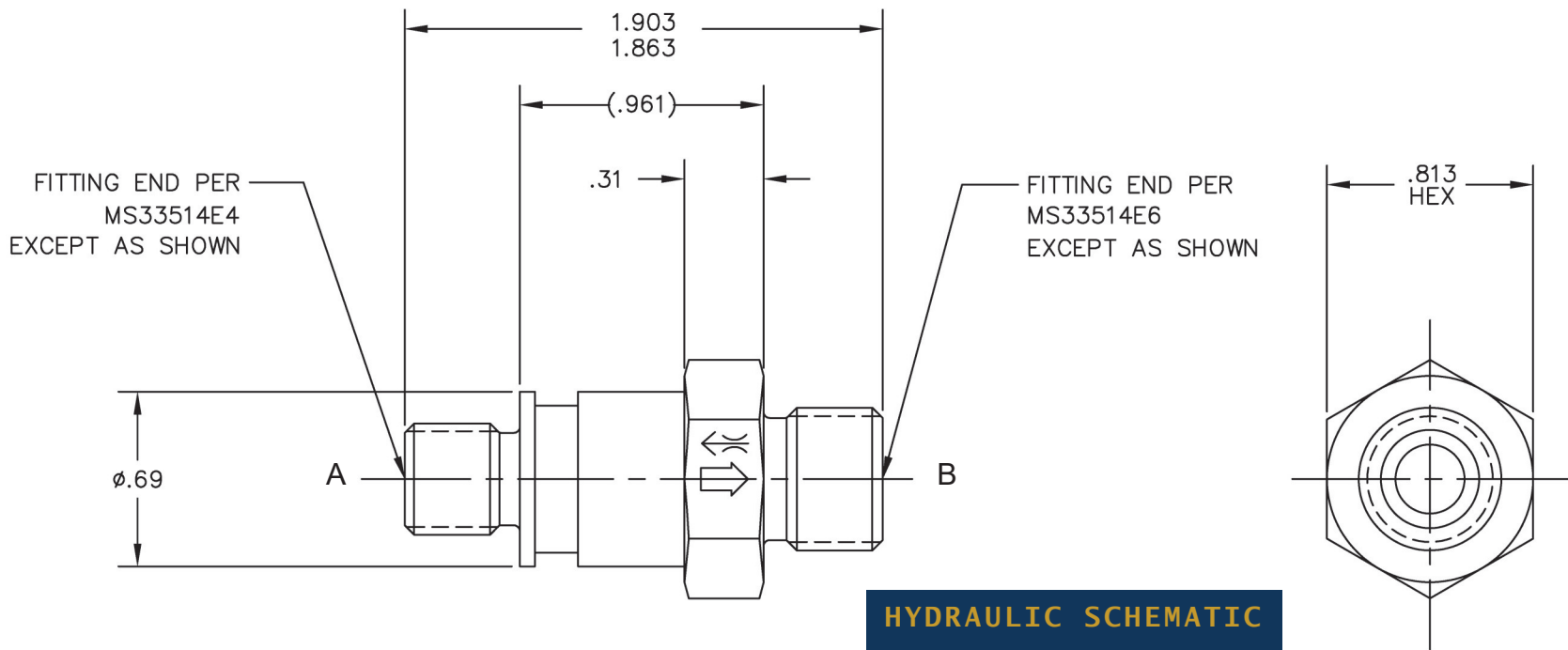
## HYDRAULIC SCHEMATIC



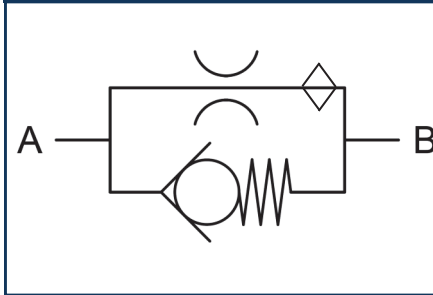
## CATEGORY 3: ONE-WAY RESTRICTOR VALVES FILTERED



**PART NUMBER: 6F4566 RESTRICTOR VALVE, ONE-WAY, FILTERED**



**HYDRAULIC SCHEMATIC**



**PERFORMANCE SPECIFICATIONS:**

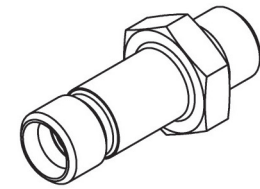
FLUIDS: ANY AIRCRAFT HYDRAULIC FLUID  
 MATERIAL: BODY 303 CRES  
 POPPET 304 CRES  
 TEMPERATURE RANGE: -65°F TO 275°F  
 OPERATING PRESSURE: 3000 PSIG  
 PROOF PRESSURE: 4500 PSIG  
 RESTRICTED FLOW: SEE TAB BLOCK  
 FREE FLOW: SEE TAB BLOCK  
 FILTRATION: .005 TO .008 OPENINGS  
 WEIGHT: .14 LBS MAX

PART NO.	FREE FLOW (GPM)	FREE FLOW $\Delta P$ (PSID)	REST. FLOW $\pm 10\%$ (GPM)	REST. FLOW PSID	REST. FLOW (ORIFICE)
6F4566	1.2	15	.35	3000	$\phi.018$
6F4566-1	1.2	15	.44	3000	$\phi.020$

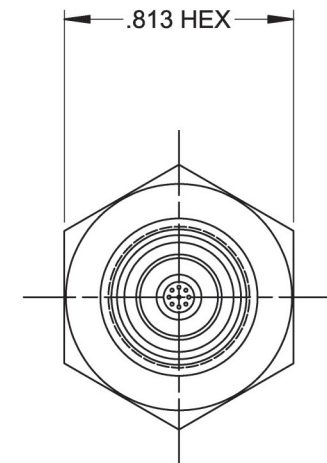
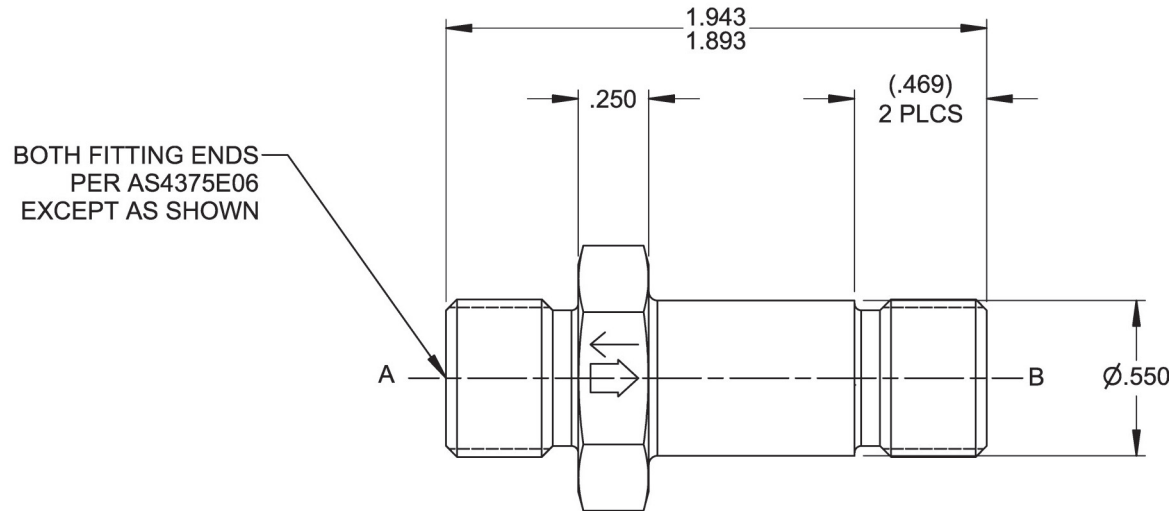
**CATEGORY 3: ONE-WAY RESTRICTOR VALVES FILTERED**



# PART NUMBER: 6F4676 RESTRICTOR VALVE, ONE-WAY, FILTERED, HI-LO



ISOMETRIC VIEW  
FOR REFERENCE ONLY



## PERFORMANCE SPECIFICATIONS:

FLUIDS: ANY AIRCRAFT HYDRAULIC FLUID

MATERIAL: BODY 304 CRES

POPPET 440C CRES

TEMPERATURE RANGE: -65°F TO 275°F

OPERATING PRESSURE: 3000 PSIG

PROOF PRESSURE: 4500 PSIG

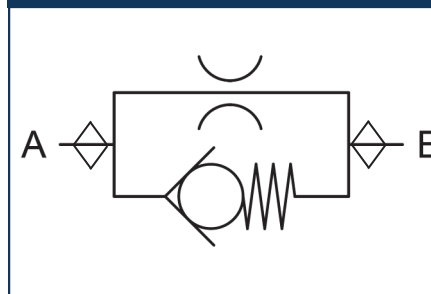
RESTRICTED FLOW: A TO B 1.77± 5% GPM AT 628 PSID ( $\varnothing.060$  ORIFICE)

B TO A 1.77± 5% GPM AT 1278 PSID ( $\varnothing.050$  ORIFICE)

FILTRATION: .011 TO .014 OPENINGS

WEIGHT: .123 LBS MAX

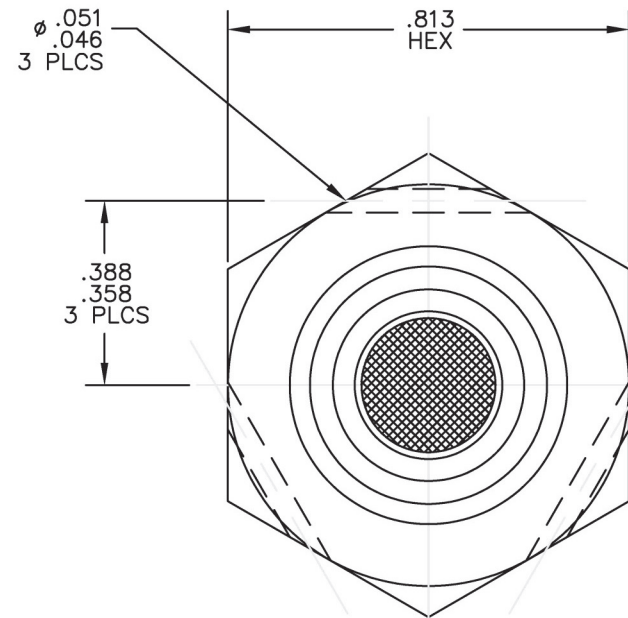
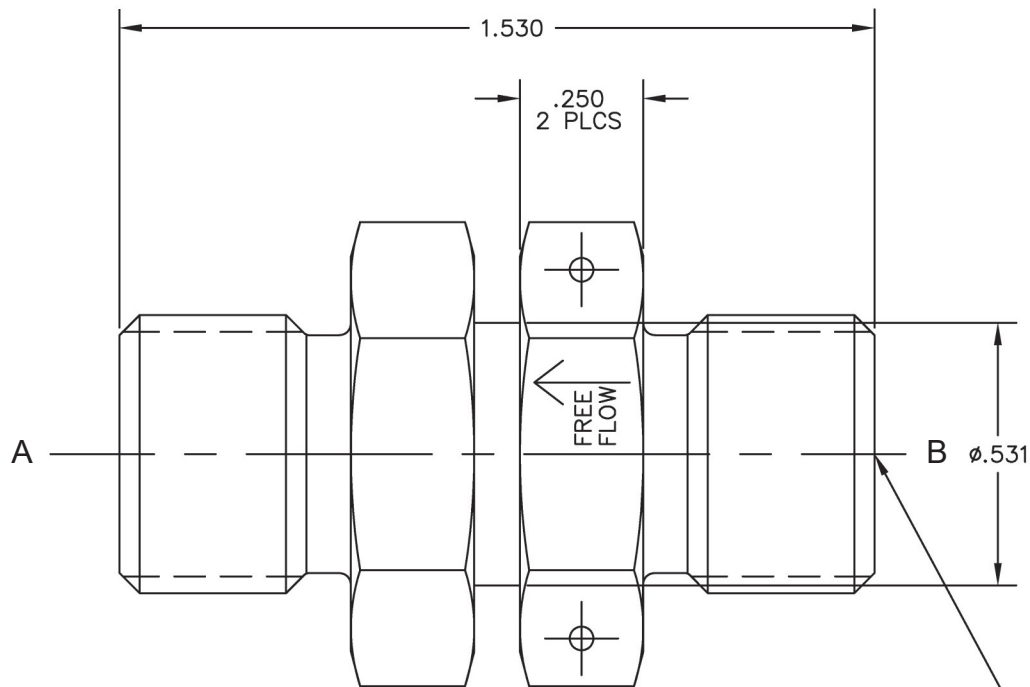
## HYDRAULIC SCHEMATIC



## CATEGORY 3: ONE-WAY RESTRICTOR VALVES FILTERED



# PART NUMBER: 6F3836-1 RESTRICTOR VALVE, ONE-WAY, FILTERED



BOTH FITTING ENDS  
PER MS33514E06  
EXCEPT AS SHOWN

## PERFORMANCE SPECIFICATIONS:

FLUIDS: ANY AIRCRAFT HYDRAULIC FLUID

MATERIAL: BODY 15-5PH CRES

POPPET 304 CRES

TEMPERATURE RANGE: -117°F TO 275°F

OPERATING PRESSURE: 3050 PSIG

TRANSIENT PRESSURE: 4050 PSIG

PROOF PRESSURE: 6000 PSIG

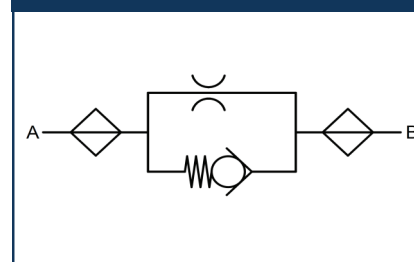
RESTRICTED FLOW: 3.56-3.93 GPM AT 3000 PSID AT 75°F ± 10°F (Ø.057 ORIFICE)

FREE FLOW: 2.0 GPM AT 170 PSID MAX AT 75°F ± 10°F

FILTRATION: .008 TO .012 OPENINGS

WEIGHT: .113 LBS MAX

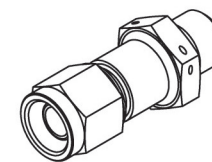
## HYDRAULIC SCHEMATIC



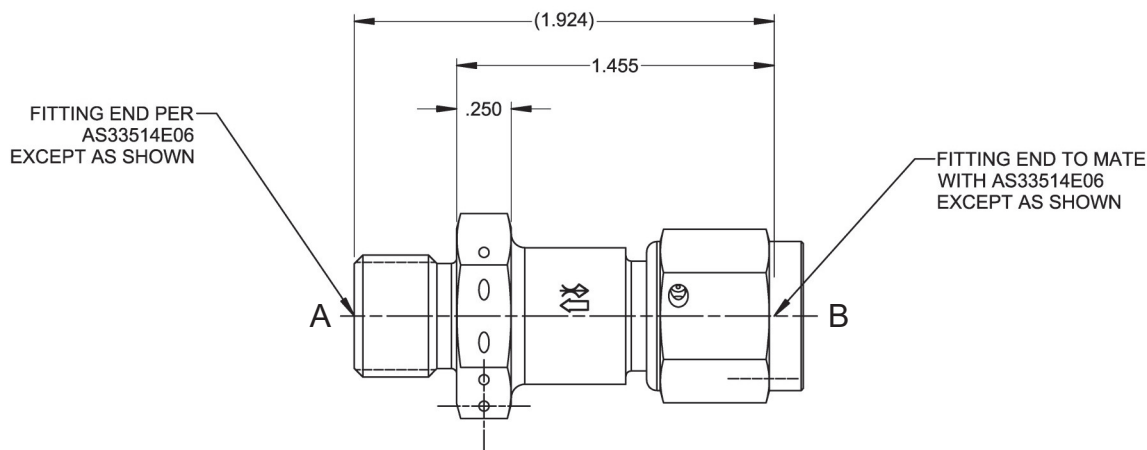
## CATEGORY 3: ONE-WAY RESTRICTOR VALVES FILTERED



# PART NUMBER: 6F4896 RESTRICTOR VALVE, ONE-WAY, FILTERED



ISOMETRIC VIEW  
FOR REFERENCE ONLY



## PERFORMANCE SPECIFICATIONS:

FLUIDS: ANY AIRCRAFT HYDRAULIC FLUID

MATERIAL: BODY 15-5PH CRES

POPPET 304 CRES

SWIVEL NUT 304 CRES

TEMPERATURE RANGE: -65°F TO 275°F

OPERATING PRESSURE: 3000 PSIG

PROOF PRESSURE: 4500 PSIG

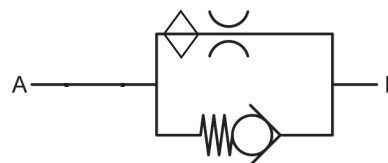
RESTRICTED FLOW: 1.0 ± 5% GPM AT 3000 PSID (Ø.029 ORIFICE)

FREE FLOW: 1.1 GPM AT 35 PSID MAX

FILTRATION: .005 TO .007 OPENINGS

WEIGHT: .162 LBS MAX

## HYDRAULIC SCHEMATIC



## CATEGORY 3: ONE-WAY RESTRICTOR VALVES FILTERED

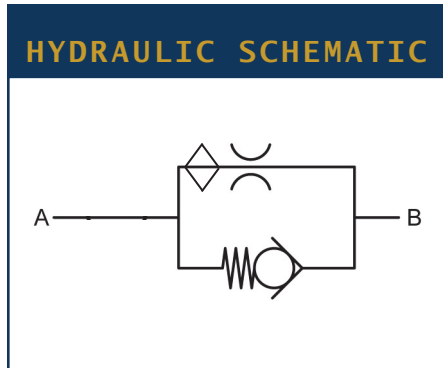




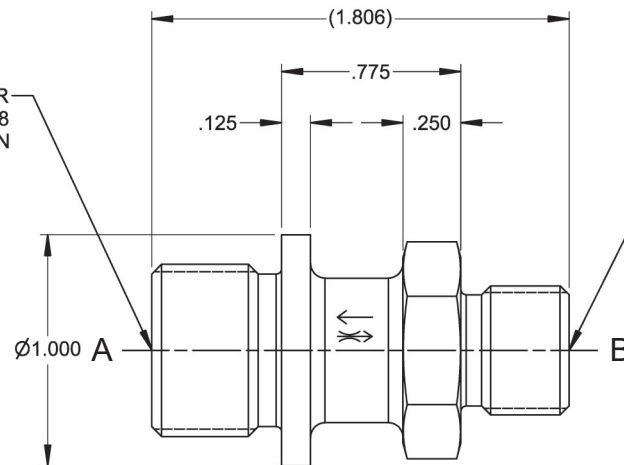
**PART NUMBER: 6F4708-X RESTRICTOR VALVE, ONE-WAY, FILTERED**



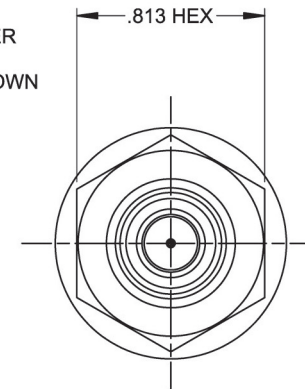
ISOMETRIC VIEW FOR REFERENCE ONLY



FITTING END PER AS33514E8 EXCEPT AS SHOWN



FITTING END PER AS33514E6 EXCEPT AS SHOWN



**PERFORMANCE SPECIFICATIONS:**

FLUIDS: ANY AIRCRAFT HYDRAULIC FLUID  
 MATERIAL: BODY 17-4PH CRES  
 POPPET 304 CRES  
 TEMPERATURE RANGE: -65°F TO 275°F  
 OPERATING PRESSURE: 3000 PSIG  
 PROOF PRESSURE: 4500 PSIG  
 RESTRICTED FLOW: SEE TAB BLOCK  
 FREE FLOW: 5 GPM AT 30 PSID MAX  
 FILTRATION: .005 TO .007 OPENINGS  
 WEIGHT: .16 LBS MAX

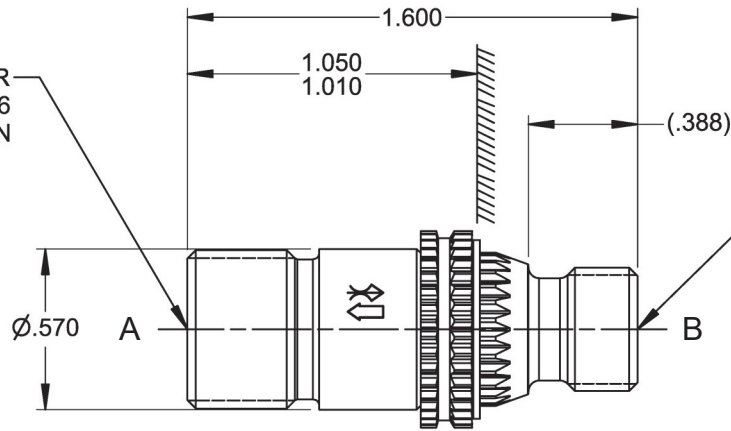
PART NO.	FLOW ±5%	RESTRICTION VALUE PSI/(CIS) <sup>2</sup>	ORIFICE Ø	PSID
6F4708-001	1.35	75	.0390	2028
6F4708-003	1.35	85	.0378	2298
6F4708-005	1.35	95	.0368	2569

**CATEGORY 3: ONE-WAY RESTRICTOR VALVES FILTERED**



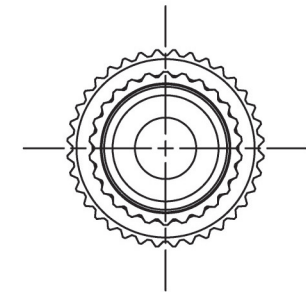
# PART NUMBER: 6F4898 RESTRICTOR VALVE, ONE-WAY, FILTERED

FITTING END PER  
MS33514E6  
EXCEPT AS SHOWN



ISOMETRIC VIEW  
FOR REFERENCE ONLY

FITTING END TO MATE  
WITH AS1300-6  
EXCEPT AS SHOWN  
(4375-20 UNJF-3A)



## PERFORMANCE SPECIFICATIONS:

FLUIDS: ANY AIRCRAFT HYDRAULIC FLUID

MATERIAL: BODY 6AL-4V TI

POPPET 304 CRES

LOCKRING A-286 CRES

TEMPERATURE RANGE: -65°F TO 275°F

OPERATING PRESSURE: 3000 PSIG

PROOF PRESSURE: 4500 PSIG

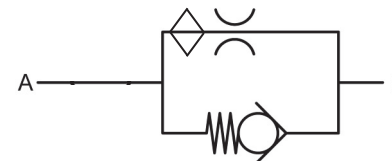
RESTRICTED FLOW: 1.1 ± 5% GPM AT 3000 PSID ( $\varnothing.031$  ORIFICE)

FREE FLOW: 1.1 GPM AT 35 PSID MAX

FILTRATION: .005 TO .007 OPENINGS

WEIGHT: .055 LBS MAX

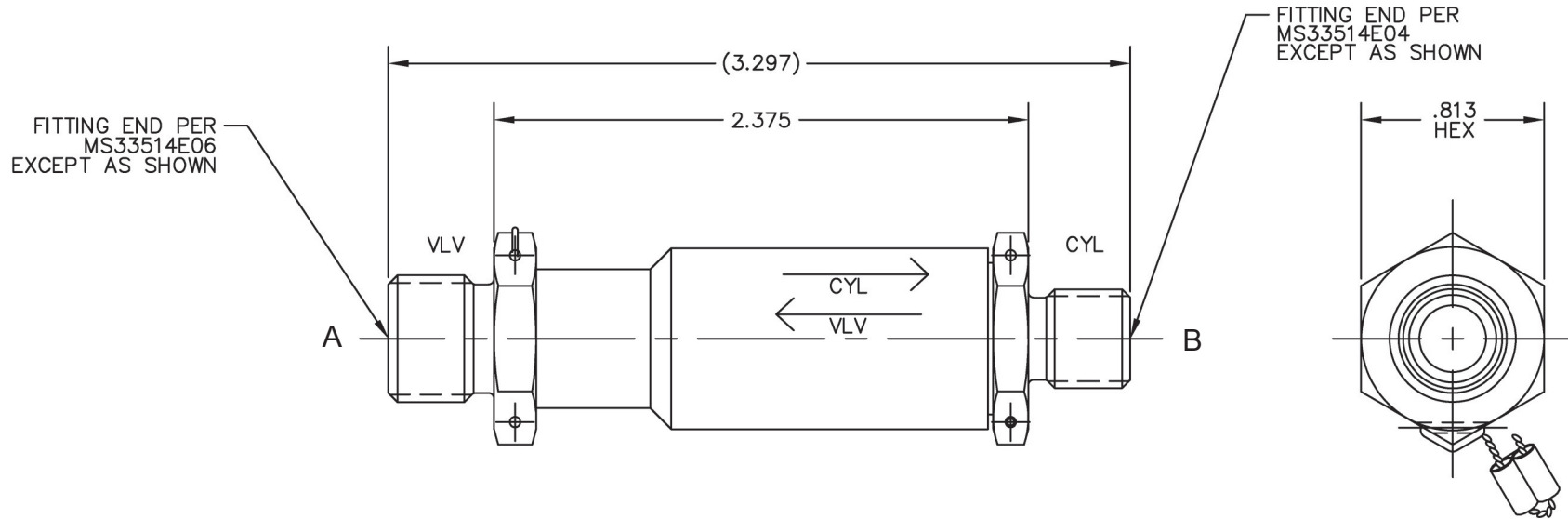
## HYDRAULIC SCHEMATIC



## CATEGORY 3: ONE-WAY RESTRICTOR VALVES FILTERED



# PART NUMBER: 6F3778 RESTRICTOR VALVE, ONE-WAY, FILTERED, HI-LO



## PERFORMANCE SPECIFICATIONS:

FLUIDS: HYDRAULIC FLUID PER DMS 2014, TY 3\*

MATERIAL: BODY 17-4 CRES

POPPET 303 CRES

TEMPERATURE RANGE: -65°F TO 225°F

OPERATING PRESSURE: 3000 PSIG

PROOF PRESSURE: 4500 PSIG

RESTRICTED FLOW: VLV TO CYL 2.100 ± 10% GPM AT 800 PSID (Ø.0606 ORIFICE)

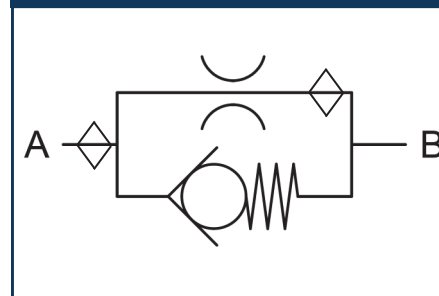
CYL TO VLV 0.350 ± 10% GPM AT 800 PSID (Ø.0250 ORIFICE)

FILTRATION: .003 TO .005 OPENINGS

WEIGHT: .30 LBS MAX

\*OTHER FLUIDS MAY BE ACCEPTABLE WITH ELASTOMER CHANGE

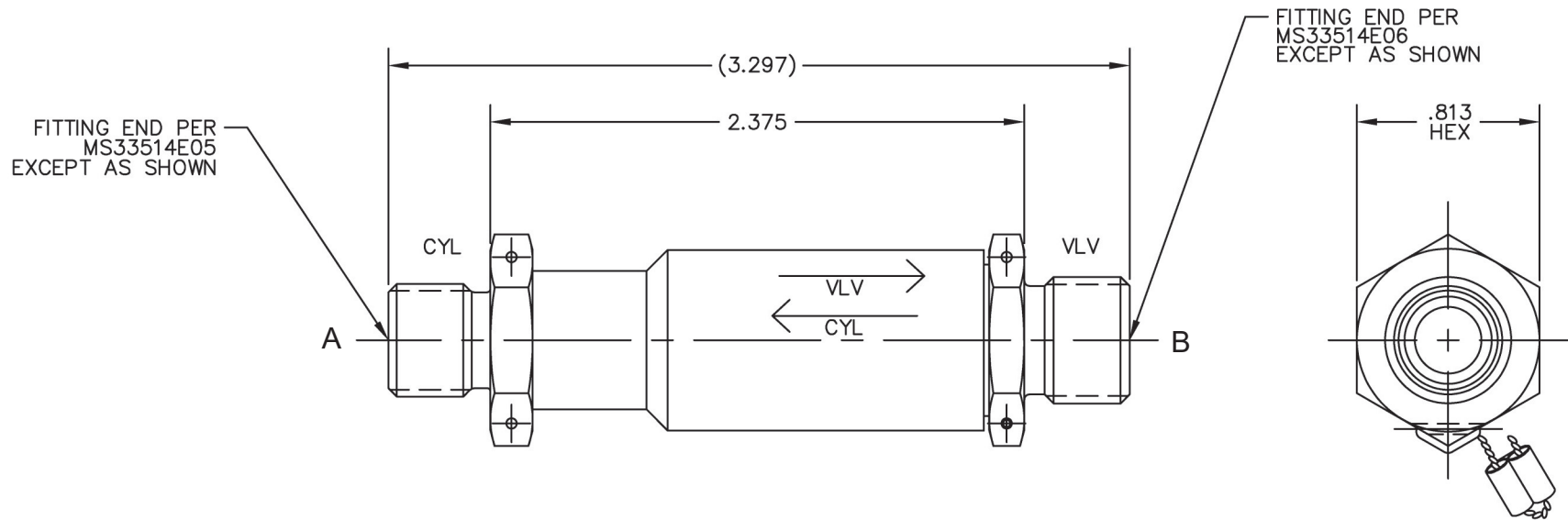
## HYDRAULIC SCHEMATIC



## CATEGORY 3: ONE-WAY RESTRICTOR VALVES FILTERED



# PART NUMBER: 6F3782 RESTRICTOR VALVE, ONE-WAY, FILTERED, HI-LO



## PERFORMANCE SPECIFICATIONS:

FLUIDS: HYDRAULIC FLUID PER DMS 2014, TY 3\*

MATERIAL: BODY 17-4 CRES

POPPET 303 CRES

TEMPERATURE RANGE: -65°F TO 225°F

OPERATING PRESSURE: 3000 PSIG

PROOF PRESSURE: 4500 PSIG

RESTRICTED FLOW: CYL TO VLV 1.210 ± 10% GPM AT 450 PSID (Ø.0560 ORIFICE)

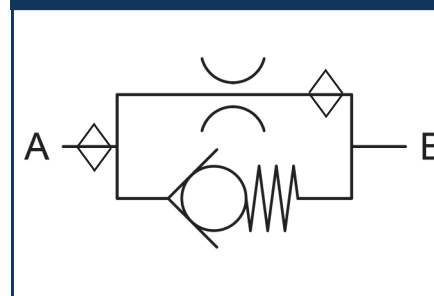
VLV TO CYL 1.140 ± 10% GPM AT 2375 PSID (Ø.0365 ORIFICE)

FILTRATION: .008 TO .012 OPENINGS

WEIGHT: .30 LBS MAX

\*OTHER FLUIDS MAY BE ACCEPTABLE WITH ELASTOMER CHANGE

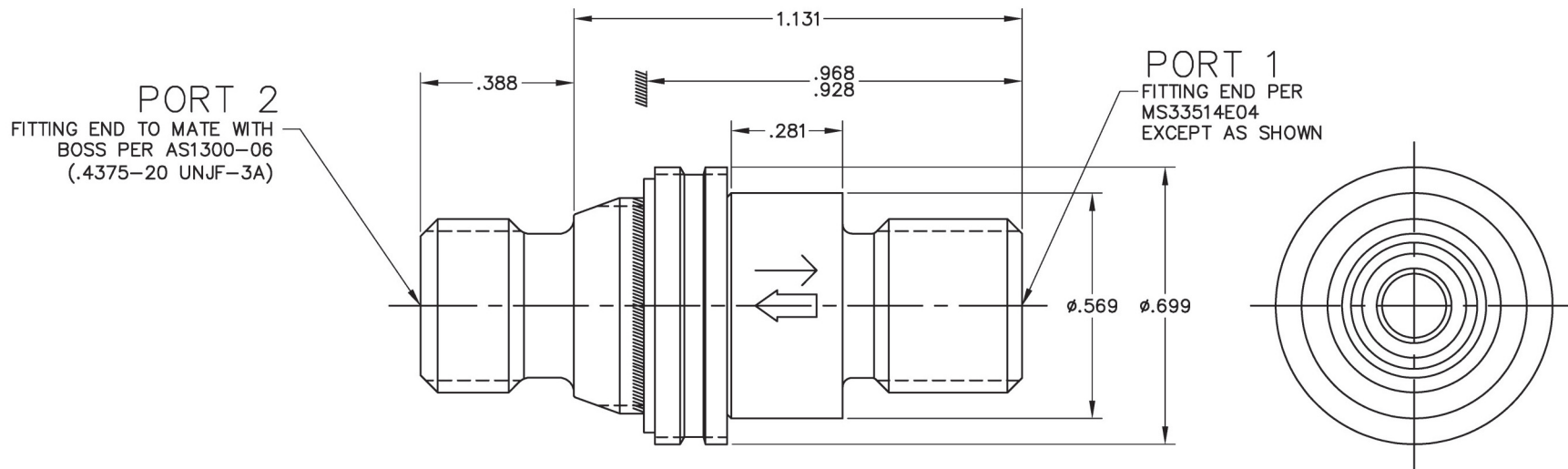
## HYDRAULIC SCHEMATIC



**CATEGORY 3: ONE-WAY RESTRICTOR VALVES FILTERED**



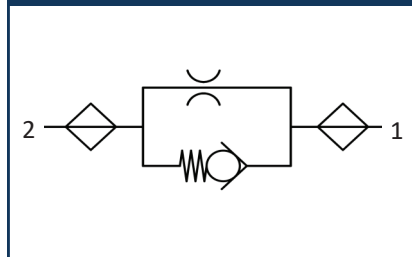
**PART NUMBER: 6F4292-X RESTRICTOR VALVE, ONE-WAY, FILTERED, HI-LO**



**PERFORMANCE SPECIFICATIONS:**

FLUIDS: ANY AIRCRAFT HYDRAULIC FLUID  
 MATERIAL: BODY 15-5PH CRES  
 POPPET 440C CRES  
 LOCKRING A-286 CRES  
 TEMPERATURE RANGE: -65°F TO 275°F  
 OPERATING PRESSURE: 7500 PSIG  
 PROOF PRESSURE: 11250 PSIG  
 RESTRICTED FLOW: SEE TAB BLOCK AT 3000 PSID MAX  
 FILTRATION: .008 TO .012 OPENINGS  
 WEIGHT: .08 LBS MAX

**HYDRAULIC SCHEMATIC**

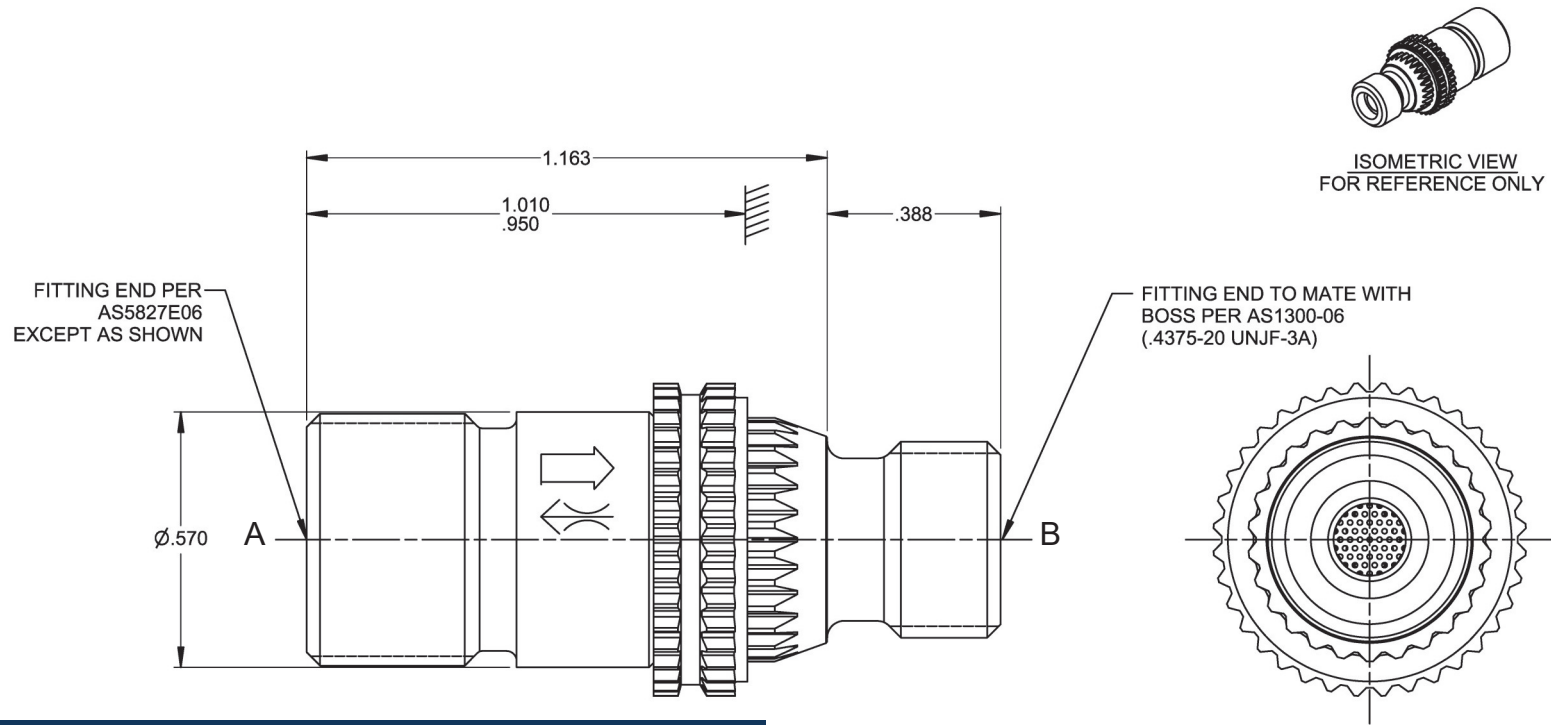


CRISSAIR PART NO.	PORTS	FLOW (GPM) ± 10%	ORIFICE Ø	LOHM
6F4292-1	2 TO 1	1.33	.034	900
	1 TO 2	2.39	.046	500
6F4292-2	2 TO 1	1.37	.035	800
	1 TO 2	1.36	.034	875
6F4292-3	2 TO 1	1.19	.032	1000
	1 TO 2	1.99	.042	600

**CATEGORY 3: ONE-WAY RESTRICTOR VALVES FILTERED**



# PART NUMBER: 6F4712 RESTRICTOR VALVE, ONE-WAY, FILTERED



## PERFORMANCE SPECIFICATIONS:

FLUIDS: ANY AIRCRAFT HYDRAULIC FLUID

MATERIAL: BODY 6AL-4V TI

POPPET 440C CRES

LOCKRING A-286 CRES

TEMPERATURE RANGE: -65°F TO 225°F

OPERATING PRESSURE: 5080 PSIG

PROOF PRESSURE: 7500 PSIG

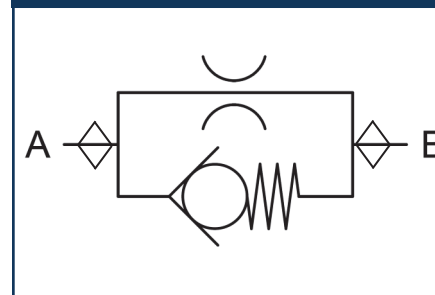
RESTRICTED FLOW: 0.744 ± 5% GPM AT 4000 PSID ( $\varnothing.0244$  ORIFICE)

FREE FLOW: 0.48 GPM AT 60 PSID MAX

FILTRATION: .008 TO .012 OPENINGS

WEIGHT: .056 LBS MAX

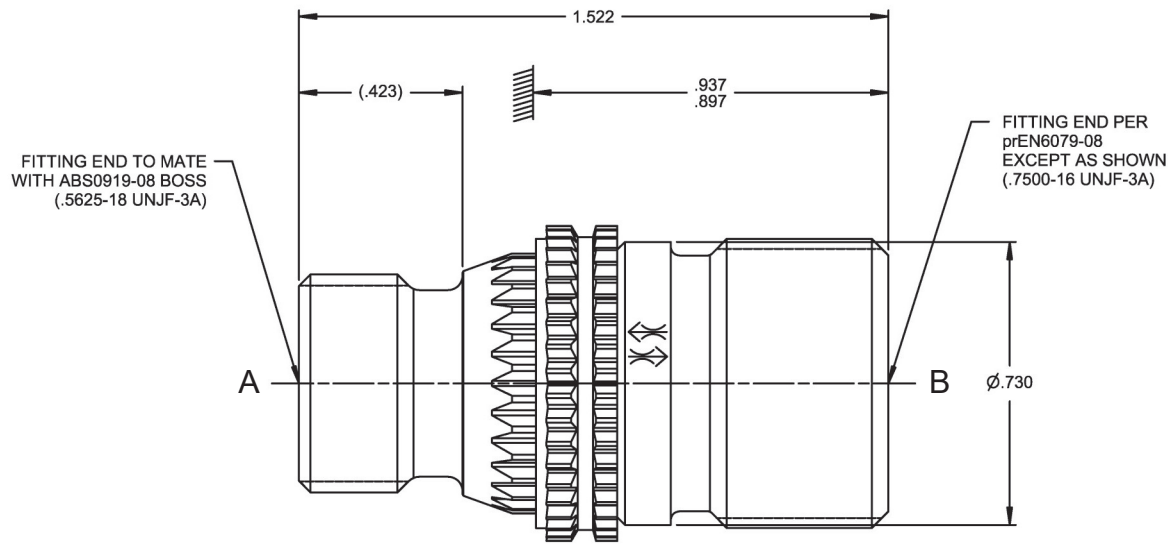
## HYDRAULIC SCHEMATIC



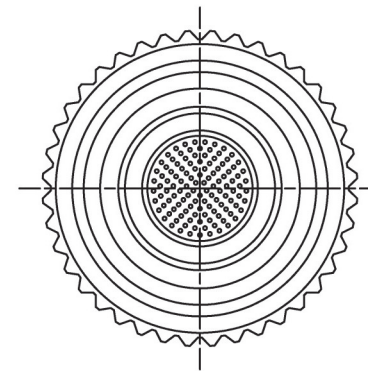
## CATEGORY 3: ONE-WAY RESTRICTOR VALVES FILTERED



# PART NUMBER: 6F4656-X RESTRICTOR VALVE, ONE-WAY, FILTERED, HI-LO



ISOMETRIC VIEW FOR REFERENCE ONLY



## PERFORMANCE SPECIFICATIONS:

FLUIDS: ANY AIRCRAFT HYDRAULIC FLUID

MATERIAL: BODY 6AL-4V TI

POPPET 440C CRES

LOCKRING A-286 CRES

TEMPERATURE RANGE: -65°F TO 230°F

OPERATING PRESSURE: 3030 PSIG

PROOF PRESSURE: 4570 PSIG

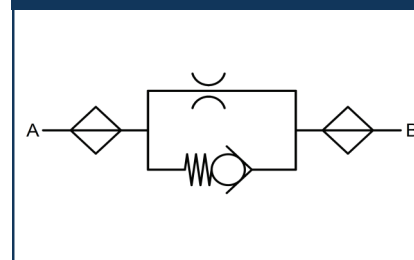
RESTRICTED FLOW: A TO B SEE TAB BLOCK AT 3000 PSID (ON NEXT PAGE)

B TO A 6.29 ± .31 GPM AT 3000 PSID ( $\phi .076$  ORIFICE)

FILTRATION: .008 TO .012 OPENINGS

WEIGHT: .078 LBS MAX

## HYDRAULIC SCHEMATIC



## CATEGORY 3: ONE-WAY RESTRICTOR VALVES FILTERED



**PART NUMBER: 6F4656-X RESTRICTOR VALVE, ONE-WAY, FILTERED, HI-LO**

CRISSAIR PART NO.	FLOW GPM ± 5%	ORIFICE Ø
6F4656-022	4.860	.067
6F4656-024	4.450	.064
6F4656-026	4.110	.062
6F4656-028	3.820	.060
6F4656-030	3.560	.057
6F4656-032	3.340	.056
6F4656-034	3.140	.054
6F4656-036	2.970	.052
6F4656-038	2.810	.051
6F4656-040	2.670	.050
6F4656-042	2.540	.049
6F4656-044	2.430	.047
6F4656-046	2.320	.046
6F4656-048	2.230	.045
6F4656-050	2.140	.045
6F4656-055	1.940	.042
6F4656-060	1.780	.041
6F4656-065	1.640	.039
6F4656-070	1.530	.038

CRISSAIR PART NO.	FLOW GPM	ORIFICE Ø
6F4656-075	1.420	.036
6F4656-080	1.340	.035
6F4656-085	1.260	.034
6F4656-090	1.190	.033
6F4656-095	1.120	.032
6F4656-100	1.070	.031
6F4656-105	1.020	.031
6F4656-110	.970	.030
6F4656-115	.930	.029
6F4656-120	.890	.029
6F4656-125	.850	.028
6F4656-130	.820	.028
6F4656-135	.790	.027
6F4656-140	.760	.027
6F4656-145	.740	.026
6F4656-150	.710	.026
6F4656-155	.690	.025
6F4656-160	.670	.025
6F4656-165	.650	.025

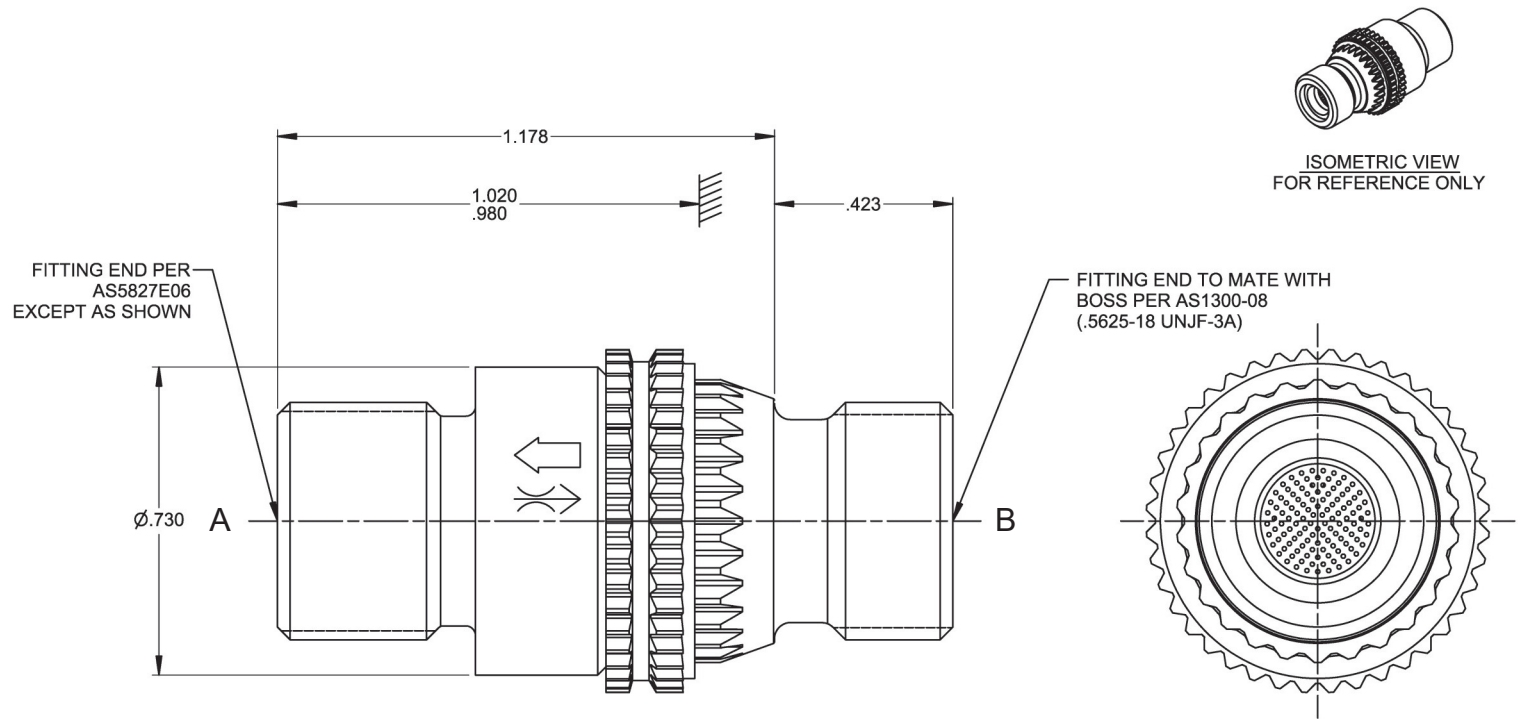
CRISSAIR PART NO.	FLOW GPM ± 5%	ORIFICE Ø
6F4656-170	.630	.024
6F4656-175	.610	.024
6F4656-180	.590	.023
6F4656-185	.580	.023
6F4656-190	.560	.023
6F4656-195	.550	.023
6F4656-200	.530	.022
6F4656-210	.510	.022
6F4656-220	.490	.021
6F4656-230	.460	.021
6F4656-240	.450	.020
6F4656-250	.430	.020
6F4656-260	.410	.020
6F4656-270	.400	.019
6F4656-280	.380	.019
6F4656-290	.370	.018
6F4656-300	.360	.018

**CATEGORY 3: ONE-WAY RESTRICTOR VALVES FILTERED**





# PART NUMBER: 6F4710 RESTRICTOR VALVE, ONE-WAY, FILTERED



## PERFORMANCE SPECIFICATIONS:

FLUIDS: ANY AIRCRAFT HYDRAULIC FLUID

MATERIAL: BODY 6AL-4V TI

POPPET 440C CRES

LOCKRING A-286 CRES

TEMPERATURE RANGE: -65°F TO 225°F

OPERATING PRESSURE: 5080 PSIG

PROOF PRESSURE: 7500 PSIG

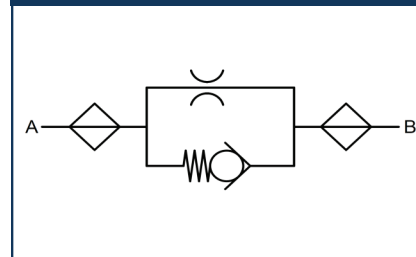
RESTRICTED FLOW: 1.088 ± 5% GPM AT 5000 PSID ( $\phi .0280$  ORIFICE)

FREE FLOW: 0.48 GPM AT 60 PSID MAX

FILTRATION: .008 TO .012 OPENINGS

WEIGHT: .078 LBS MAX

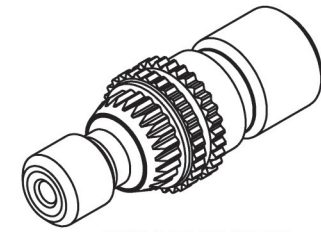
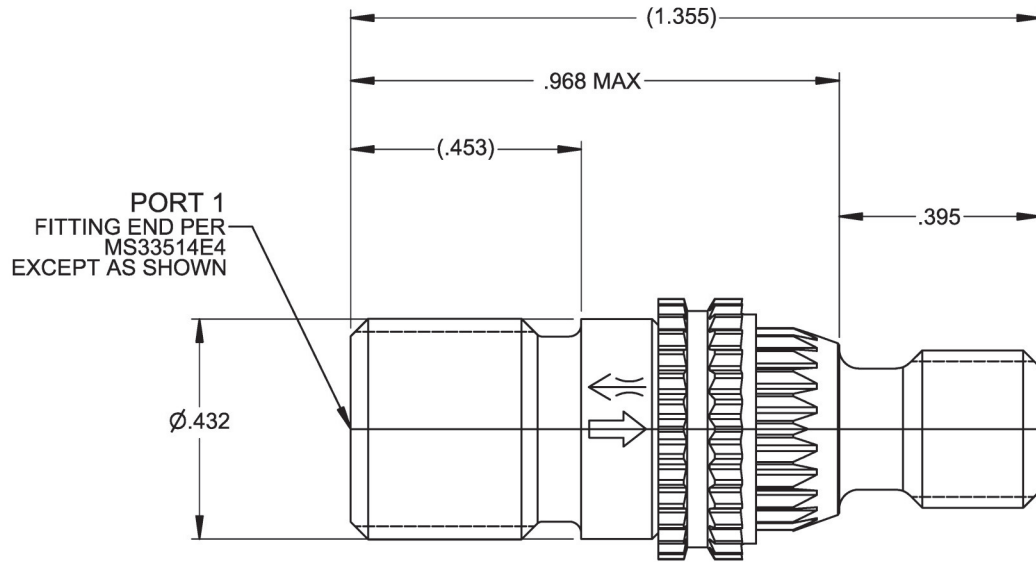
## HYDRAULIC SCHEMATIC



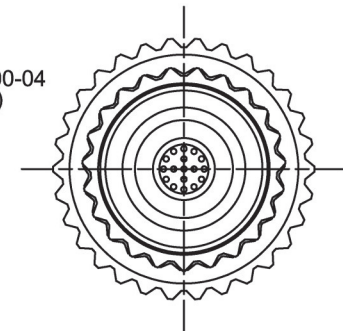
## CATEGORY 3: ONE-WAY RESTRICTOR VALVES FILTERED



# PART NUMBER: 6F4608 RESTRICTOR VALVE, ONE-WAY, FILTERED, HI-LO



ISOMETRIC VIEW  
FOR REFERENCE ONLY



## PERFORMANCE SPECIFICATIONS:

FLUIDS: ANY AIRCRAFT HYDRAULIC FLUID

MATERIAL: BODY 15-5PH CRES

POPPET 440C CRES

LOCKRING A-286 CRES

TEMPERATURE RANGE: -65°F TO 275°F

OPERATING PRESSURE: 3000 PSIG

PROOF PRESSURE: 4500 PSIG

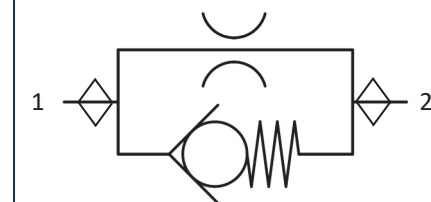
RESTRICTED FLOW: 1 TO 2 - 2.150 ± 5% GPM AT 3000 PSID (555 ± 5% LOHMS) ( $\varnothing.037$  ORIFICE)

2 TO 1 - 1.190 ± 5% GPM AT 3000 PSID (1000 ± 5% LOHMS) ( $\varnothing.028$  ORIFICE)

FILTRATION: .008 TO .012 OPENINGS

WEIGHT: .039 LBS MAX

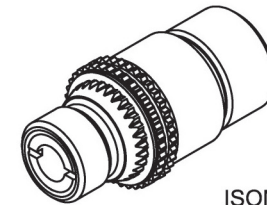
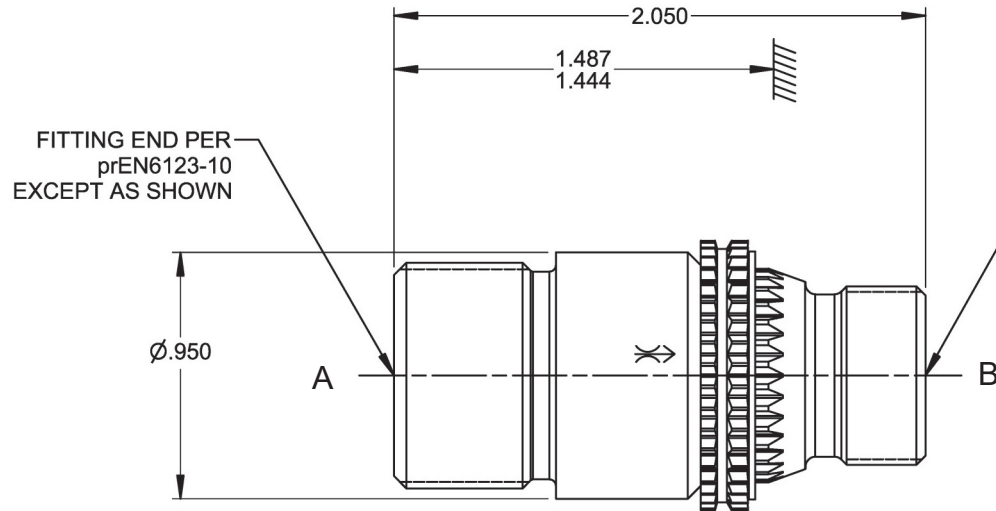
## HYDRAULIC SCHEMATIC



## CATEGORY 3: ONE-WAY RESTRICTOR VALVES FILTERED

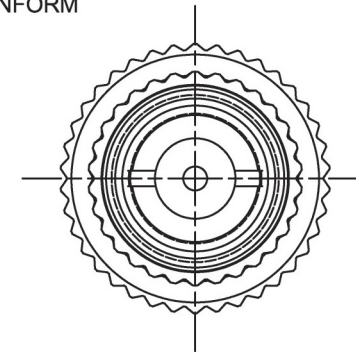


# PART NUMBER: 6F4726-1 RESTRICTOR VALVE, ONE-WAY, FILTERED



ISOMETRIC VIEW FOR REFERENCE ONLY

FITTING END TO CONFORM WITH ABS0993-10 (.6875-24 UNJEF-3A) TO MATE WITH ABS0919-10



## PERFORMANCE SPECIFICATIONS:

FLUIDS: ANY AIRCRAFT HYDRAULIC FLUID

MATERIAL: BODY 15-5PH CRES

POPPET PH13-8MO CRES

LOCKRING A-286 CRES

TEMPERATURE RANGE: -40°F TO 200°F

OPERATING PRESSURE: CHECK DIRECTION 6597 PSIG

FREE FLOW DIRECTION 5075 PSIG

PROOF PRESSURE: CHECK DIRECTION 9895 PSIG

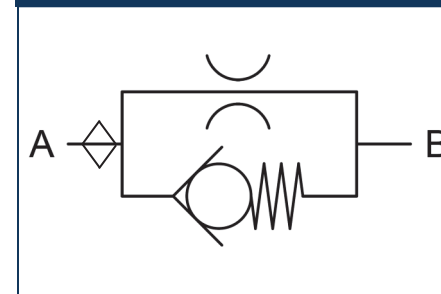
FREE FLOW DIRECTION 7612 PSIG

RESTRICTED FLOW: 11.9 ± 5% GPM AT 5075 PSID AT PORT A AND 65.3 PSID AT PORT B

FILTRATION: 100 MICRONS NOMINAL

WEIGHT: .265 LBS MAX

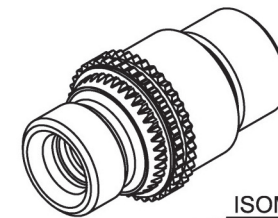
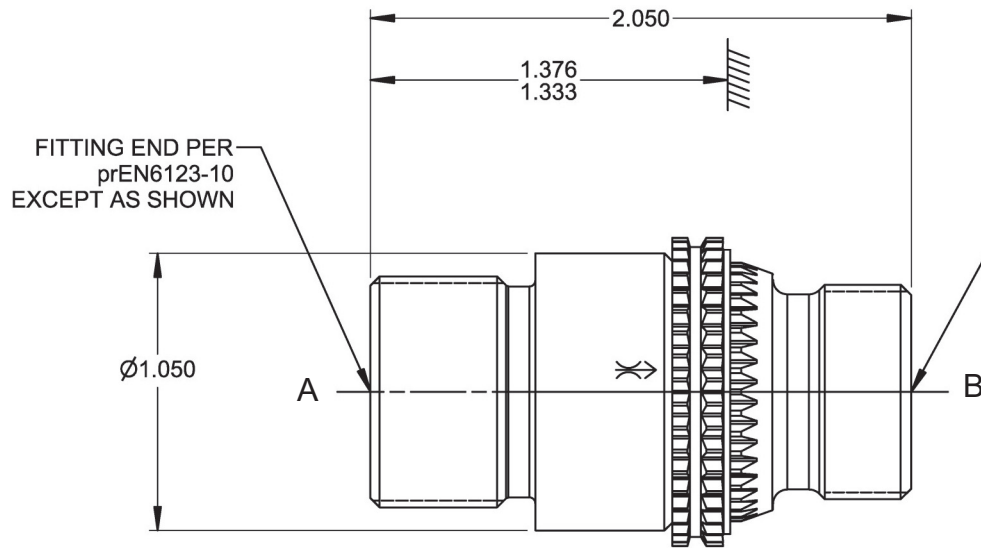
## HYDRAULIC SCHEMATIC



## CATEGORY 3: ONE-WAY RESTRICTOR VALVES FILTERED

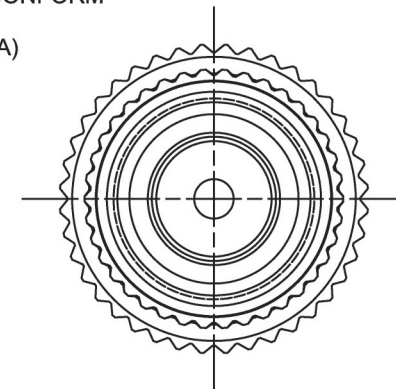


# PART NUMBER: 6F4734-1 RESTRICTOR VALVE, ONE-WAY, FILTERED



ISOMETRIC VIEW FOR REFERENCE ONLY

FITTING END TO CONFORM WITH ABS0993-12 (.8125-20 UNJEF-3A) TO MATE WITH ABS0919-12



## PERFORMANCE SPECIFICATIONS:

FLUIDS: ANY AIRCRAFT HYDRAULIC FLUID

MATERIAL: BODY 15-5PH CRES

POPPET PH13-8MO CRES

LOCKRING A-286 CRES

TEMPERATURE RANGE: -40°F TO 200°F

OPERATING PRESSURE: CHECK DIRECTION 6597 PSIG

FREE FLOW DIRECTION 5075 PSIG

PROOF PRESSURE: CHECK DIRECTION 9895 PSIG

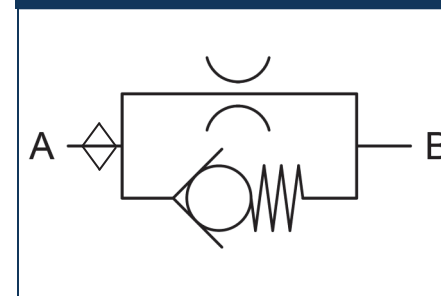
FREE FLOW DIRECTION 7612 PSIG

RESTRICTED FLOW: 31.7 ± 5% GPM AT 5075 PSID AT PORT A AND 65.3 PSID AT PORT B

FILTRATION: 100 MICRONS NOMINAL

WEIGHT: .298 LBS MAX

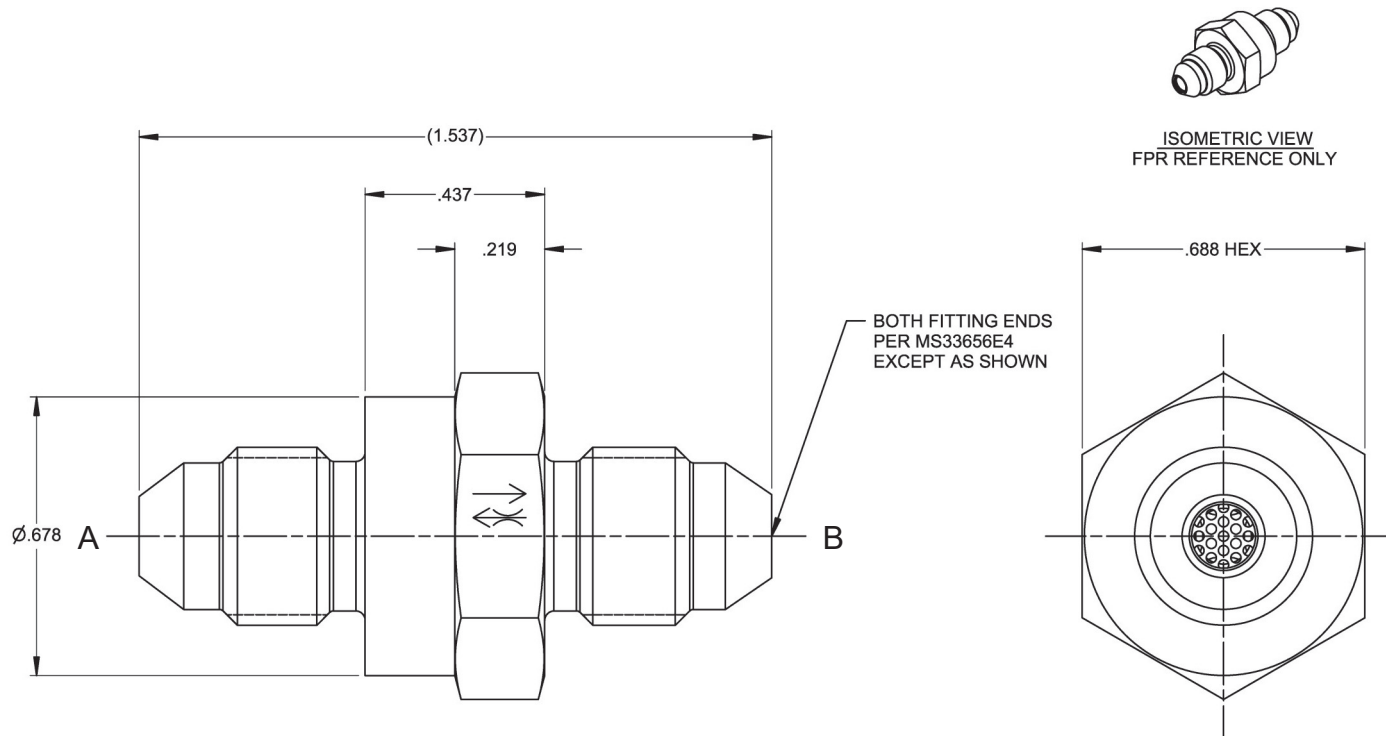
## HYDRAULIC SCHEMATIC



## CATEGORY 3: ONE-WAY RESTRICTOR VALVES FILTERED



# PART NUMBER: 6F4698 RESTRICTOR VALVE, ONE-WAY, FILTERED

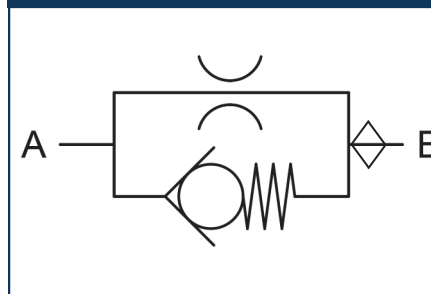


ISOMETRIC VIEW  
FPR REFERENCE ONLY

## PERFORMANCE SPECIFICATIONS:

FLUIDS: ANY AIRCRAFT HYDRAULIC FLUID  
MATERIAL: BODY 17-4PH CRES  
POPPET 440C CRES  
TEMPERATURE RANGE:  $-65^{\circ}\text{F}$  TO  $275^{\circ}\text{F}$   
OPERATING PRESSURE: 3000 PSIG  
PROOF PRESSURE: 4500 PSIG  
RESTRICTED FLOW:  $\varnothing.040 \pm 0.001$  ORIFICE  
FREE FLOW: 1.2 GPM AT 30 PSID MAX  
FILTRATION: 0.022 TO 0.028 OPENINGS  
WEIGHT: .080 LBS MAX

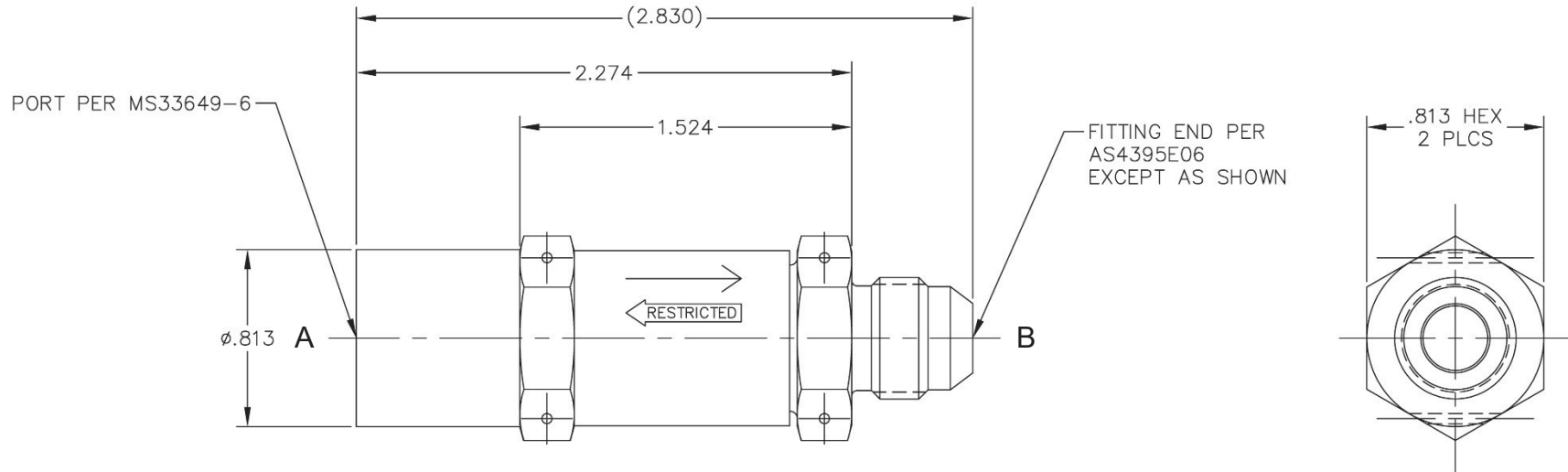
## HYDRAULIC SCHEMATIC



## CATEGORY 3: ONE-WAY RESTRICTOR VALVES FILTERED



# PART NUMBER: 6F4436 RESTRICTOR VALVE, ONE-WAY, FILTERED



## PERFORMANCE SPECIFICATIONS:

FLUIDS: HYDRAULIC FLUID PER MIL-H-5606, MIL-PRF-87257 AND MIL-PRF-83282\*

MATERIAL: BODY 2024-T351 AL

POPPET 303 CRES

TEMPERATURE RANGE: -65°F TO 275°F

OPERATING PRESSURE: 1000 PSIG

PROOF PRESSURE: 1500 PSIG

RESTRICTED FLOW:  $\phi .046 \pm 0.001$  ORIFICE

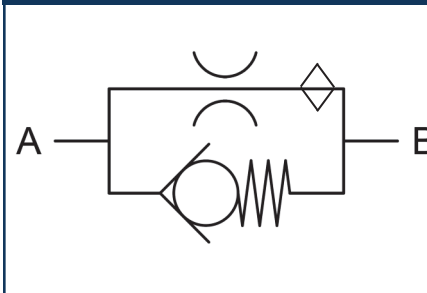
FREE FLOW: 8 GPM AT 105 PSID MAX

FILTRATION: 200 MICRONS

WEIGHT: .103 LBS MAX

\*OTHER FLUIDS MAY BE ACCEPTABLE WITH ELASTOMER CHANGE

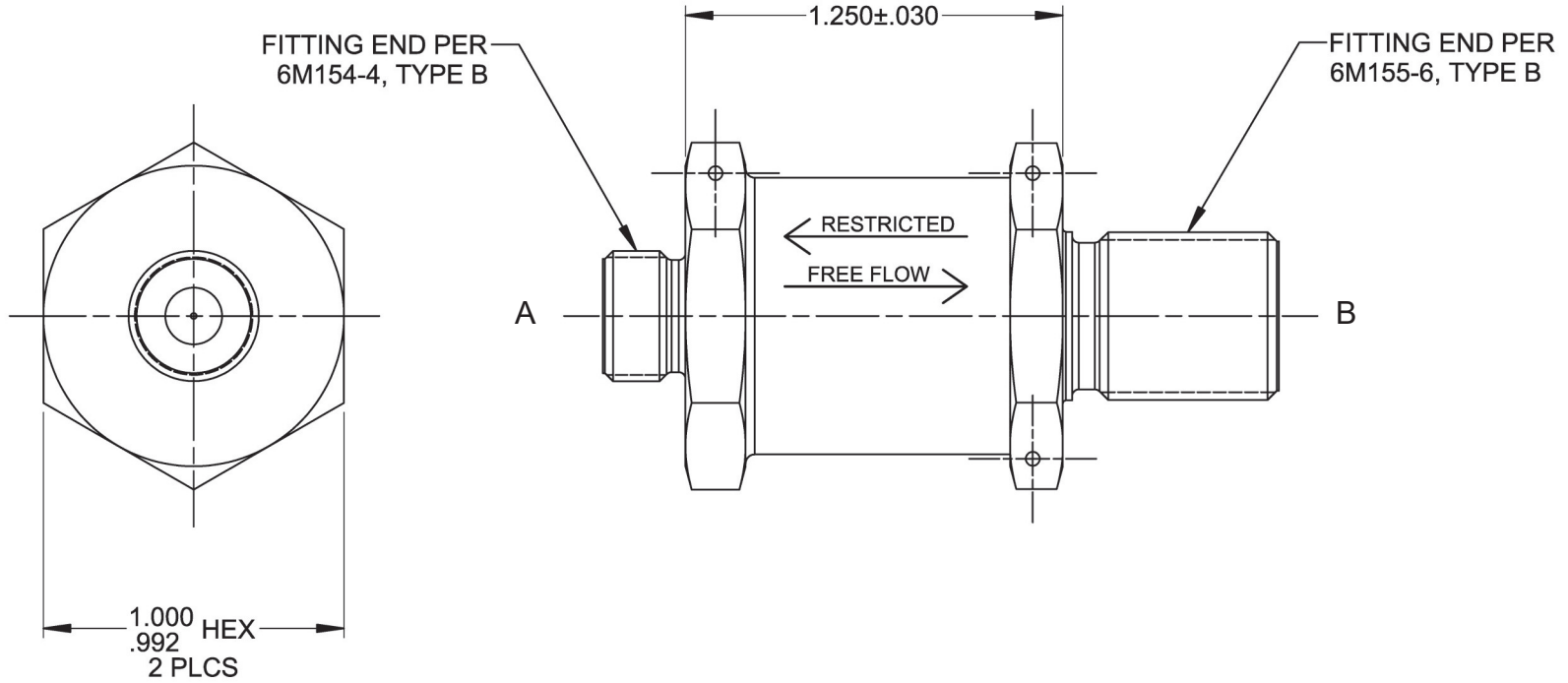
## HYDRAULIC SCHEMATIC



## CATEGORY 3: ONE-WAY RESTRICTOR VALVES FILTERED



# PART NUMBER: 6F3252 RESTRICTOR VALVE, ONE-WAY, FILTERED



## PERFORMANCE SPECIFICATIONS:

FLUIDS: HYDRAULIC FLUID PER MIL-H-5606 AND MIL-H-83282\*

MATERIAL: BODY 17-4PH CRES

POPPET 440C CRES

TEMPERATURE RANGE: -65°F TO 275°F

OPERATING PRESSURE: 3000 PSIG

PROOF PRESSURE: 5300 PSIG

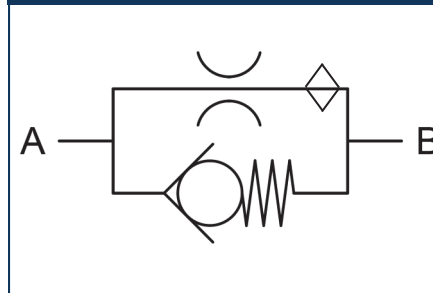
RESTRICTED FLOW: .54 ± 10% GPM AT 3000 PSID MAX

FREE FLOW: 3 GPM AT 20 PSID MAX

WEIGHT: .30 LBS MAX

\*OTHER FLUIDS MAY BE ACCEPTABLE WITH ELASTOMER CHANGE

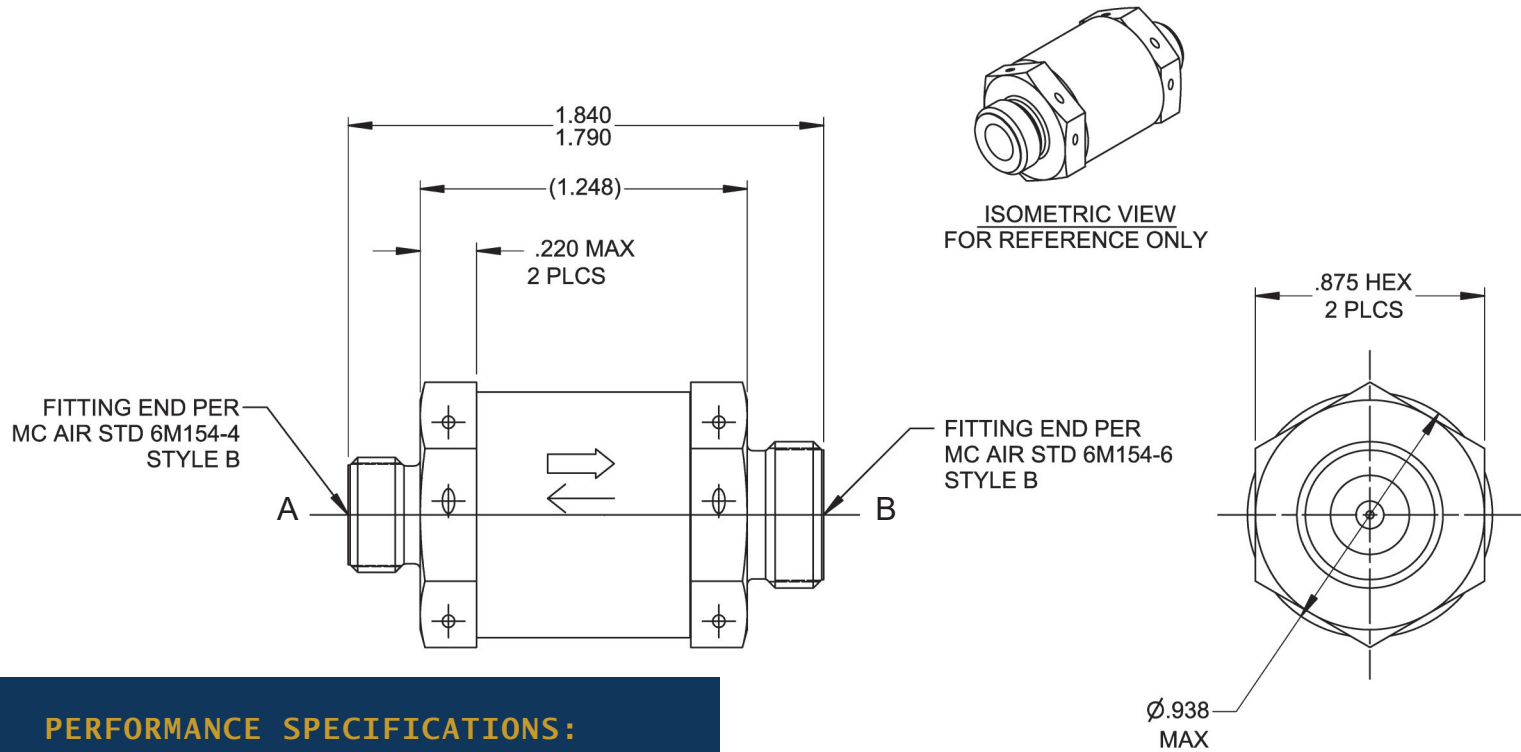
## HYDRAULIC SCHEMATIC



## CATEGORY 3: ONE-WAY RESTRICTOR VALVES FILTERED



**PART NUMBER: 6F4592-X RESTRICTOR VALVE, ONE-WAY, FILTERED**



**PERFORMANCE SPECIFICATIONS:**

FLUIDS: HYDRAULIC FLUID PER MIL-H-5606, MIL-H-46170,  
MIL-H-6083 AND MIL-H-83282\*

MATERIAL: BODY 17-4PH CRES  
POPPET 302 CRES

TEMPERATURE RANGE: -65°F TO 275°F

OPERATING PRESSURE: 3000 PSIG

PROOF PRESSURE: 4500 PSIG

RESTRICTED FLOW: SEE TAB BLOCK AT 3000 PSID MAX

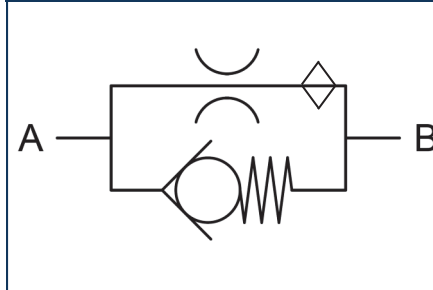
FREE FLOW: 6 GPM AT 40 PSID MAX

FILTRATION: .008 TO .012 OPENINGS

WEIGHT: .25 LBS MAX

\*OTHER FLUIDS MAY BE ACCEPTABLE WITH ELASTOMER CHANGE

**HYDRAULIC SCHEMATIC**



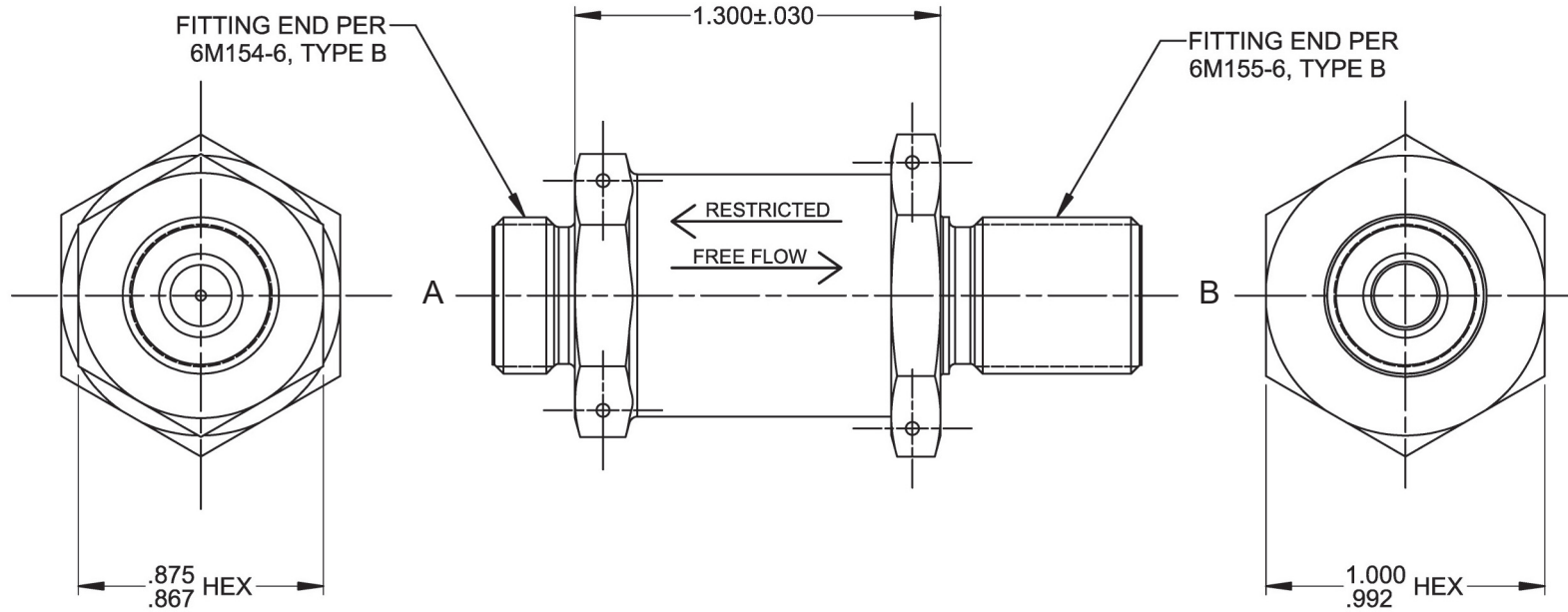
CRISSAIR PART NO.	FLOW (GPM)	ORIFICE $\varnothing$
6F4592-1	3.86	.058
6F4592-103	0.435	.020
6F4592-105	1.25	.033
6F4592-109	1.11	.032
6F4592-111	0.924	.029
6F4592-115	2.01	.043
6F4592-121	0.278	.016

**CATEGORY 3: ONE-WAY RESTRICTOR VALVES FILTERED**





# PART NUMBER: 6F3254-1 RESTRICTOR VALVE, ONE-WAY, FILTERED



## PERFORMANCE SPECIFICATIONS:

FLUIDS: HYDRAULIC FLUID PER MIL-H-5606 AND MIL-H-83282\*

MATERIAL: BODY 17-4PH CRES

POPPET 440C CRES

TEMPERATURE RANGE:  $-65^{\circ}\text{F}$  TO  $275^{\circ}\text{F}$

OPERATING PRESSURE: 3000 PSIG

PROOF PRESSURE: 4500 PSIG

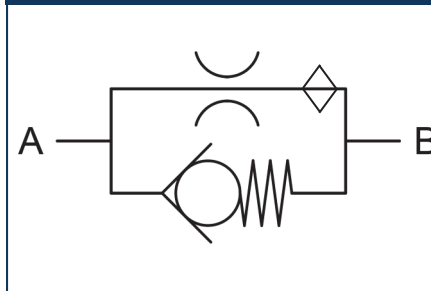
RESTRICTED FLOW:  $1.80 \pm 10\%$  GPM AT 3000 PSID MAX

FREE FLOW: 3 GPM AT 20 PSID MAX

WEIGHT: .30 LBS MAX

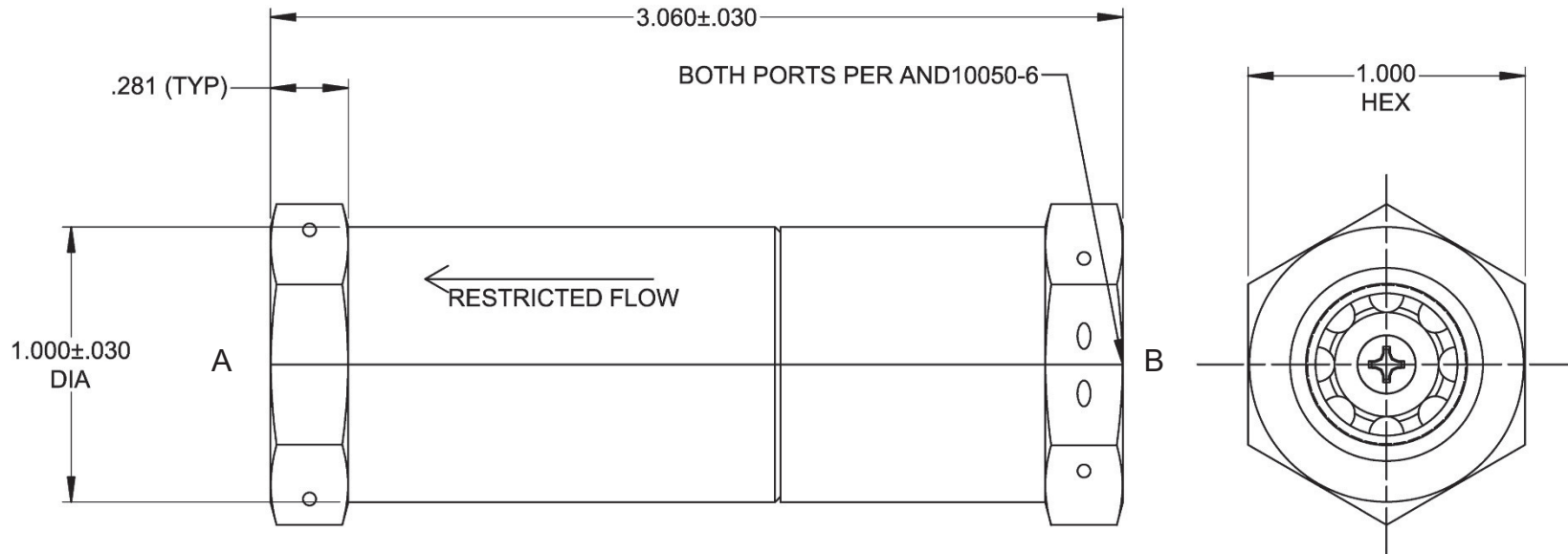
\*OTHER FLUIDS MAY BE ACCEPTABLE WITH ELASTOMER CHANGE

## HYDRAULIC SCHEMATIC





**PART NUMBER: 6F2852-X RESTRICTOR VALVE, ONE-WAY, FILTERED**



**PERFORMANCE SPECIFICATIONS:**

FLUIDS: HYDRAULIC FLUID PER MIL-H-5606\*

MATERIAL: BODY 303 CRES

POPPET 440C CRES

TEMPERATURE RANGE: -65°F TO 160°F

OPERATING PRESSURE: 3000 PSIG

PROOF PRESSURE: 4500 PSIG

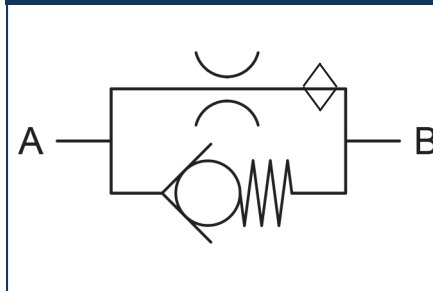
RESTRICTED FLOW: SEE TAB BLOCK AT 3000 PSID MAX

FREE FLOW: 3.5 GPM AT 13 PSID MAX

WEIGHT: .50 LBS MAX

\*OTHER FLUIDS MAY BE ACCEPTABLE WITH ELASTOMER CHANGE

**HYDRAULIC SCHEMATIC**

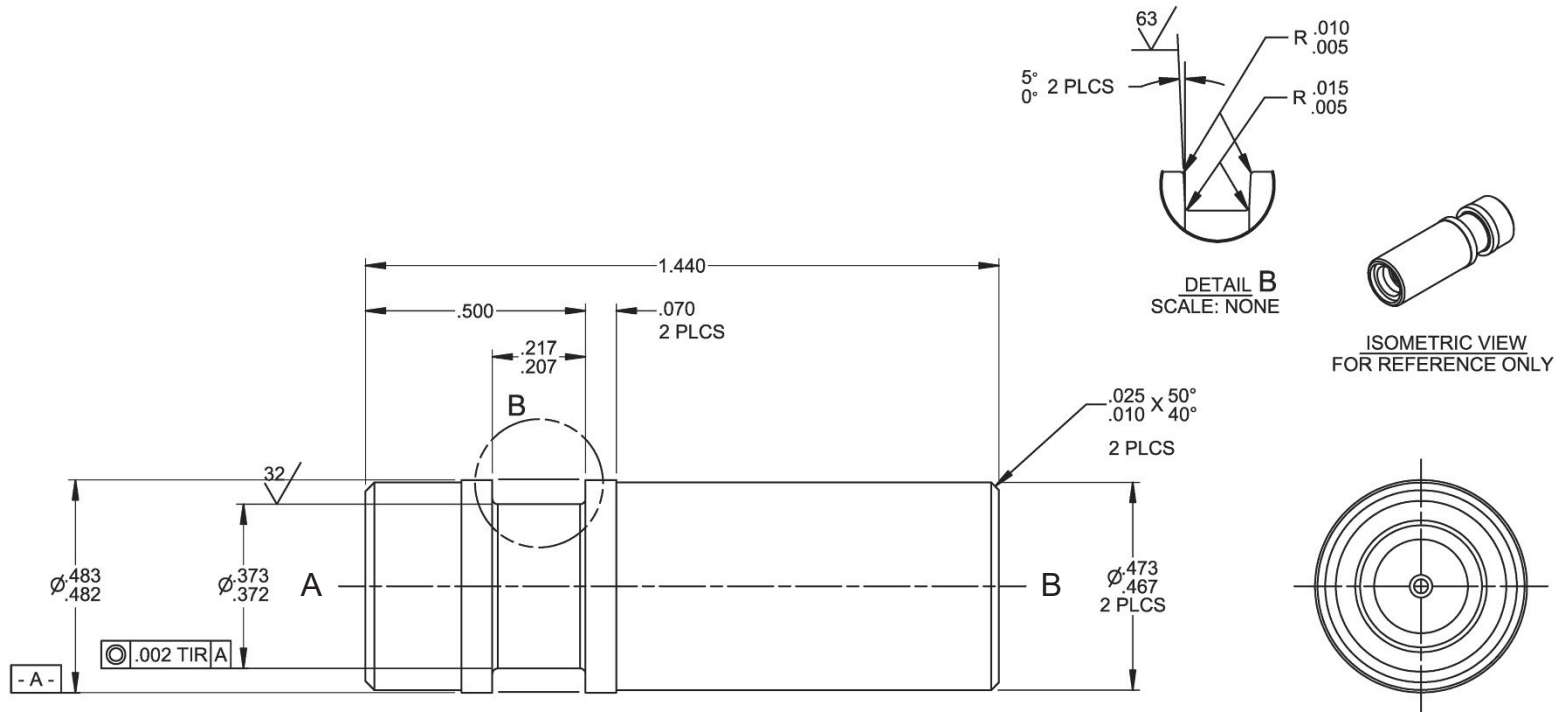


CRISSAIR PART NO.	FLOW (GPM)	ORIFICE Ø
6F2852-7	1.84 - 2.15	.044
6F2852-9	.80 - .96	.027

**CATEGORY 3: ONE-WAY RESTRICTOR VALVES FILTERED**



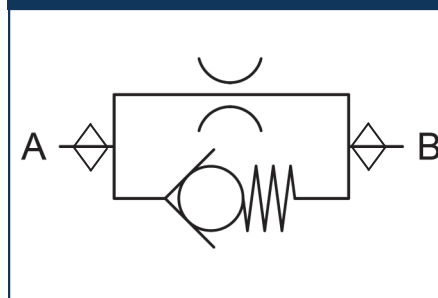
# PART NUMBER: 6F4970 RESTRICTOR VALVE, ONE-WAY, FILTERED



## PERFORMANCE SPECIFICATIONS:

FLUIDS: ANY AIRCRAFT HYDRAULIC FLUID  
 MATERIAL: BODY 15-5PH CRES  
 POPPET 440C CRES  
 TEMPERATURE RANGE: -65°F TO 275°F  
 OPERATING PRESSURE: 3000 PSIG  
 PROOF PRESSURE: 4500 PSIG  
 RESTRICTED FLOW: 1.4 ± 5% GPM AT 3000 PSID (Ø.0365 ORIFICE)  
 FREE FLOW: 11 GPM AT 3000 PSID MAX  
 FILTRATION: .013 TO .017 OPENINGS  
 WEIGHT: .050 LBS MAX

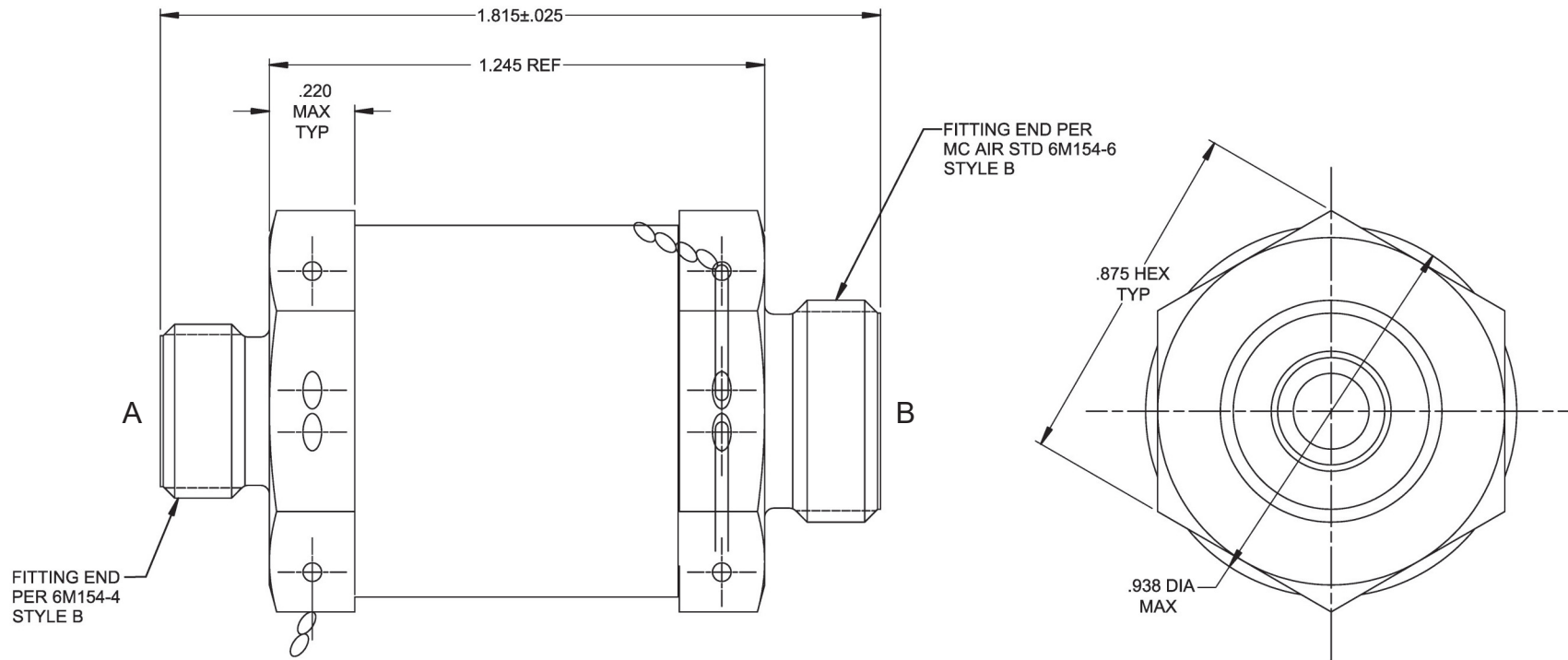
## HYDRAULIC SCHEMATIC



## CATEGORY 3: ONE-WAY RESTRICTOR VALVES FILTERED



**PART NUMBER: 6F3028 RESTRICTOR VALVE, ONE-WAY, FILTERED**



**PERFORMANCE SPECIFICATIONS:**

FLUIDS: HYDRAULIC OIL PER MIL-H-5606, MIL-H-83232, MIL-H-46170, & MIL-H-6083\*

MATERIAL: BODY 17-4PH

POPPET 302 CRES

TEMPERATURE RANGE: -65°F TO 275°F

OPERATING PRESSURE: 3000 PSIG

PROOF PRESSURE: 4500 PSIG

CRACKING PRESSURE: 2 TO 8 PSID

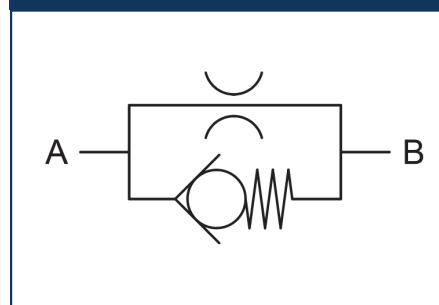
FLOW: FREE FLOW: 6 GPM AT 40 PSID MAX

RESTRICTED—(SEE TAB BLOCK)

FILTRATION: ON ORIFICE DIAS .012-.070 USE -5(.008-.012 OPENINGS)

\*OTHER FLUIDS MAY BE ACCEPTABLE WITH ELASTOMER CHANGE

**HYDRAULIC SCHEMATIC**



CRISSAIR PART NO.	FLOW (GPM) ± 10%	Δ P (PSID)	ORIFICE Ø
6F3028-101	1.56	3000	.037
6F3028-103	1.85	3000	.040
6F3028-105	.30	3000	.016

**CATEGORY 3: ONE-WAY RESTRICTOR VALVES FILTERED**



CRISSAIR HAS VARIOUS OTHER RESTRICTOR VALVES NOT LISTED IN THE CATALOG WITH DIFFERENT MATERIALS, FITTINGS, AND SIZE CONFIGURATIONS.

CONTACT CRISSAIR FOR ADDITIONAL INFORMATION/DRAWINGS AT

(661) 367-3300 OR [SALES@CRISSAIR.COM](mailto:SALES@CRISSAIR.COM).

YOU CAN ALSO VISIT [WWW.CRISSAIR.COM](http://WWW.CRISSAIR.COM).