



MANUAL OPERATED VALVES

Crissair Inc. designs and manufactures several manually operated, rotary-type valves that shut-off or redirect supply pressure and flow.

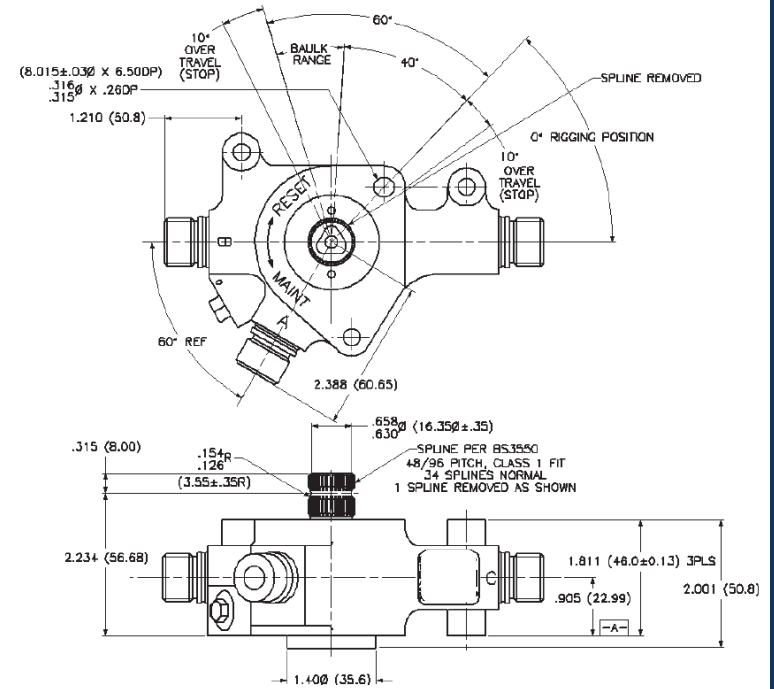
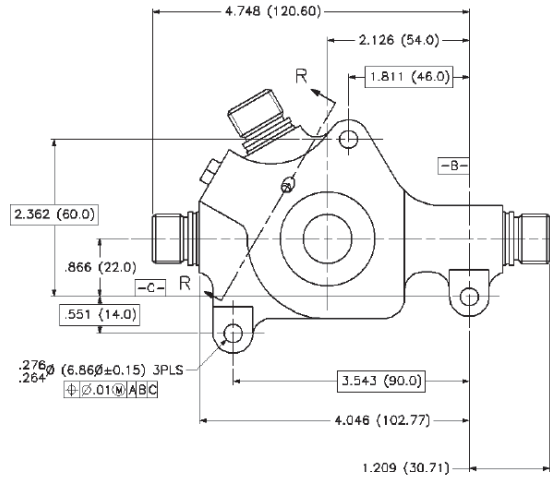
- The manual operation can be achieved via a handle which is ergonomically designed for the human hand. Other designs utilize splines or shafts that connect to different types of linkages or wrenches.
- Many of the manual valves are used on aircraft ground service panels.



This catalog contains a small sample of drawings. Please contact Crissair for additional drawings and/or configurations.



PART NUMBER: 36710-X, NOSE DOOR BYPASS VALVE



PERFORMANCE SPECIFICATIONS:

FLUIDS: PHOSPHATE ESTER PER NSA30711OLD, TYPE IV OR V*

MATERIAL: HOSUING 7075-T73

OPERATING PRESSURE: 2987 PSIG

PROOF PRESSURE: 4538 PSIG

FLOW (0°C): AT 0°(RIGGING) POSITION 6.08 GPM AT 58 PSID MAX, PORT B TO C
AT 60° CW (FULL OPEN) POSITION, 4.23 GPM AT 58 PSID MAX, PORT A TO PORT C

LEAKAGE: EXTERNAL, 1 DROP MAX IN 25 OPERATING CYCLES
AT 0° WITH 2987 PSIG AT PORTS B, 25 CCC/MIN MAX AT PORT A
AT 0° WITH 2987 PSIG AT PORT A, 25 CCC/MIN MAX AT PORTS B
AT 60° WITH 2987 PSIG AT PORTS A, 25 CCC/MIN MAX AT PORT B

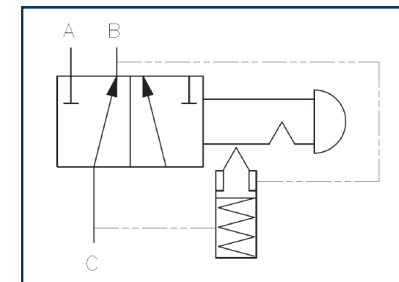
BAULK FEATURE: IS ENGAGED OVER 40° ROTATION WITH PORT B LESS THAN 725 PSIG
IS DISENGAGED OVER FULL RANGE WITH PORT B AT GREATER THAN 1015 PSIG

SHAFT OPERATING TORQUE: NOT GREATER THAN 44.4 IN-LBS AT ALL POSITIONS AND PRESSURES
NOT LESS THAN 8.8 IN-LBS FROM 0° POSITION (DETENT FUNCTION)

ULTIMATE TORQUE: SHAFT SHALL WITHSTAND 112 FT-LBS MINIMUM.

WEIGHT: 1.90 LBS MAX

*OTHER FLUIDS MAY BE ACCEPTABLE WITH ELASTOMER CHANGE

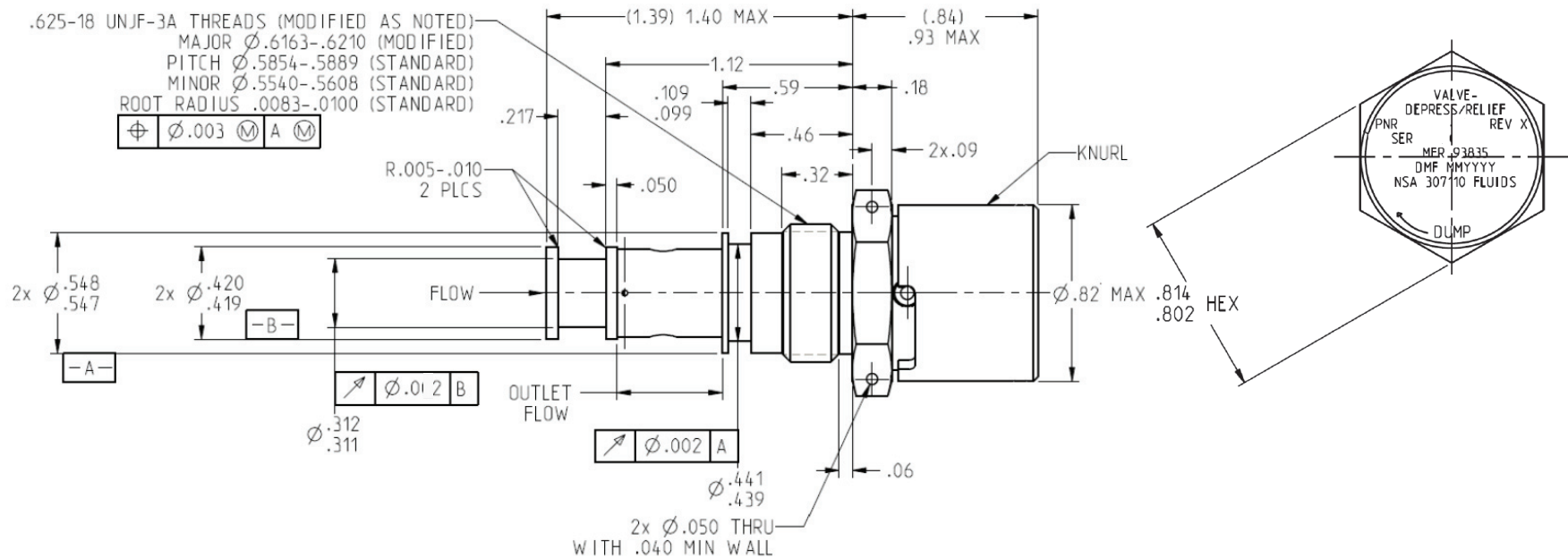


HYDRAULIC SCHEMATIC

CATEGORY 6: MANUAL OPERATED VALVES



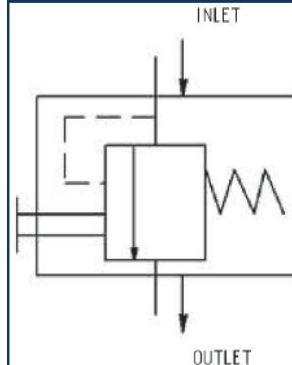
PART NUMBER: 37030-X, MANUAL DEPRESSURIZATION AND RELIEF VALVE



PERFORMANCE SPECIFICATIONS:

FLUIDS: PHOSPHATE ESTER PER NSA 307110 TYPE IV OR V*
 MATERIAL: BODY 17-4 PH
 POPPET 440C CRES
 OPERATING PRESSURE: 5004 PSIG
 PROOF PRESSURE: 7614 PSIG
 CRACKING PRESSURE: 5439-5874 PSID
 FLOW, RELIEF: 5989 PSID MAX AT 0.7 GPM MIN AND 68±9°F
 FLOW, MANUAL DUMP: 3336 PSID MAX AT 0.4 GPM MIN AND 68±9°F
 RESEAT PRESSURE: 5352-5787 PSID AT 6 CC/MIN AND 68±9°F
 INTERNAL LEAKAGE: 1 DPM MAX AT 5004-5076 PSID
 0 DPM AT 3336 PSID
 MAX TORQUE OF MANUAL DEPRESSURIZATION VALVE: 1.0-10 IN-LBS
 MAX OVERRIDE KNOB ROTATION: 210°
 WEIGHT: 0.17 LBS MAX
 *OTHER FLUIDS MAY BE ACCEPTABLE WITH ELASTOMER CHANGE

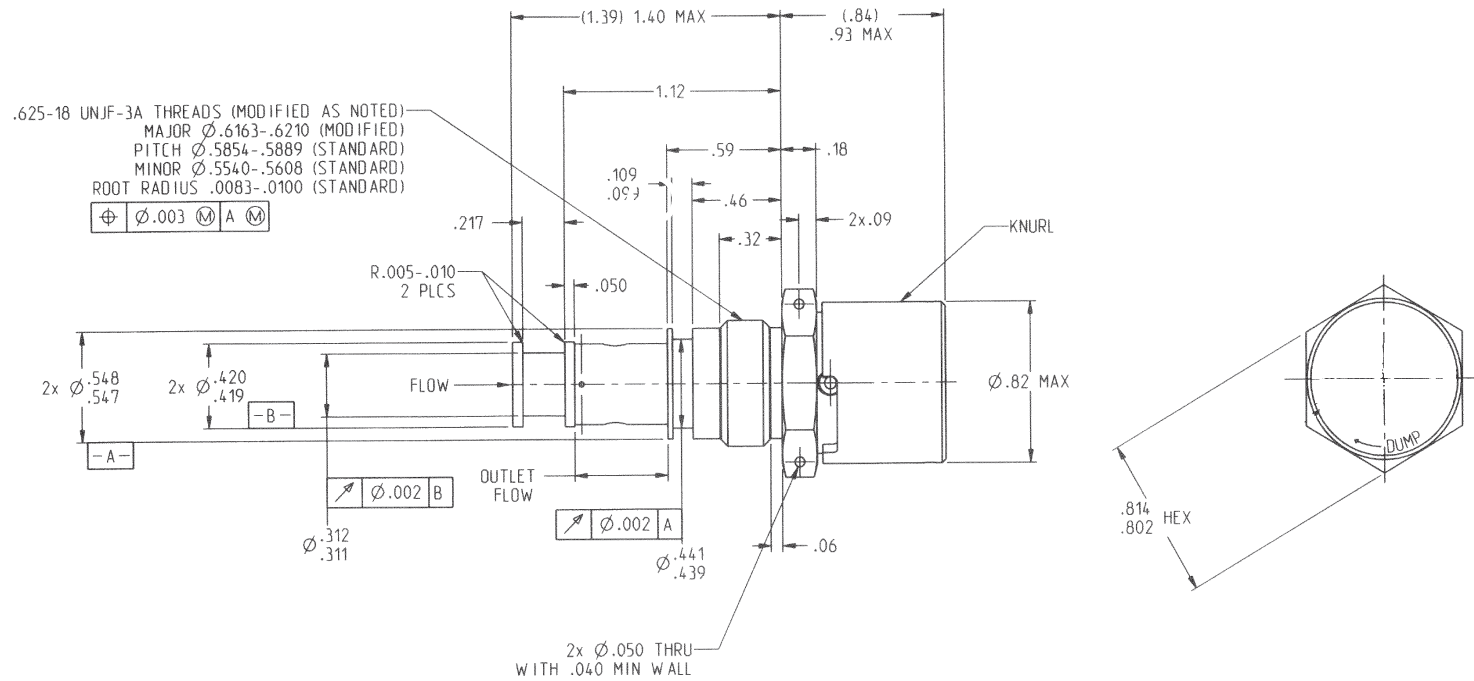
HYDRAULIC SCHEMATIC



CATEGORY 6: MANUAL OPERATED VALVES - MANUAL DUMP WITH THERMAL RELIEF VALVES



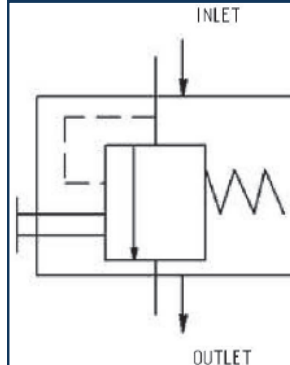
PART NUMBER: 37160-X, MANUAL DEPRESSURIZATION/RELIEF VALVE



PERFORMANCE SPECIFICATIONS:

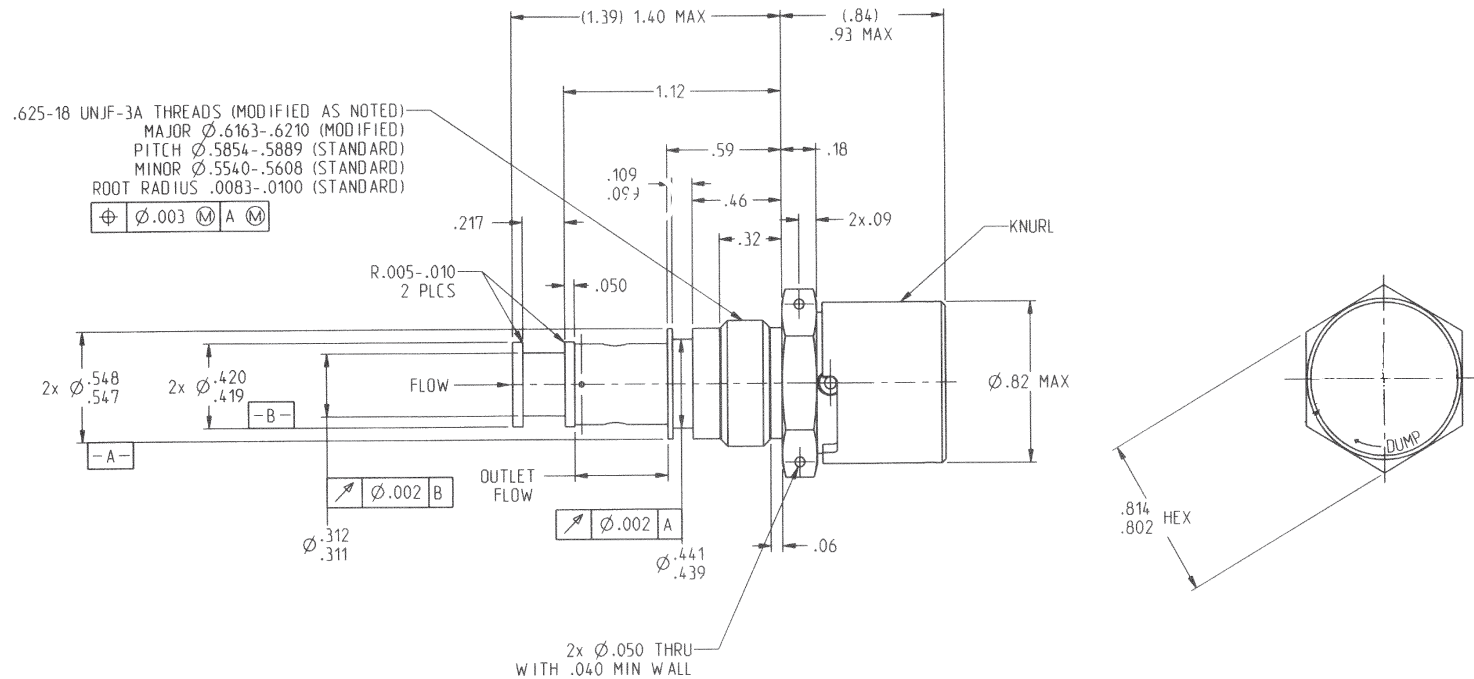
FLUIDS: PHOSPHATE ESTER TYPE IV AND V*
 MATERIAL: BODY 17-4PH
 POPPET 440C CRES
 TEMPERATURE RANGE: -65°F TO 275°F
 OPERATING PRESSURE: 3000 PSIG (WITH TRANSIENTS UP TP 3750 PSIG)
 PROOF PRESSURE: 5400 PSIG
 CRACKING PRESSURE: 3600 PSID MAX AT 20 CC/MIN
 FLOW: RELIEF: 3600 PSID MAX AT 0.24 GPM MIN AND 100±20°F
 MANUAL DEPRESS: 3000 PSID MAX AT 0.17 GPM MIN AND 100±20°F
 POPPET FAILURE: 3.0 GPM MAX AT 3000 PSID AND 100±20°F
 RESEAT PRESSURE: 3200 PSID MAX AT 20 CC/MIN
 INTERNAL LEAKAGE: 1 DPM MAX AT 3000 PSID
 ZERO LEAKAGE AT 2000 PSID
 MAX TORQUE OF MANUAL DEPRESSURIZATION VALVE: 1.0—10 IN-LBS
 MAX OVERRIDE KNOB ROTATION: 210°
 WEIGHT: 0.17 LBS MAX
 *OTHER FLUIDS MAY BE ACCEPTABLE WITH ELASTOMER CHANGE

HYDRAULIC SCHEMATIC





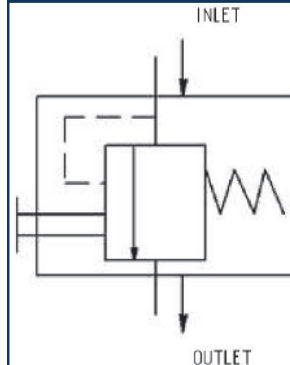
PART NUMBER: 2P5572, MANUAL DEPRESSURIZATION/RELIEF VALVE



PERFORMANCE SPECIFICATIONS:

FLUIDS: MIL-PRF-5606*
MATERIAL: BODY 17-4PH
POPPET 440C CRES
TEMPERATURE RANGE: -65°F TO 275°F
OPERATING PRESSURE: 3000 PSIG (WITH TRANSIENTS UP TO 3750 PSIG)
PROOF PRESSURE: 5400 PSIG
CRACKING PRESSURE: 3600 PSID MAX AT 20 CC/MIN
FLOW: RELIEF: 3600 PSID MAX AT 0.24 GPM MIN AND 100±20°F
MANUAL BLEED: 3000 PSID MAX AT 0.17 GPM MIN AND 100±20°F
RESEAT PRESSURE: 3200 PSID MAX AT 10 CC/MIN
INTERNAL LEAKAGE: 1 DPM MAX AT 3000 PSID
ZERO LEAKAGE AT 2000 PSID
WEIGHT: 0.17 LBS MAX
*OTHER FLUIDS MAY BE ACCEPTABLE WITH ELASTOMER CHANGE

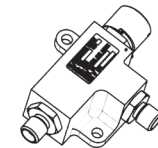
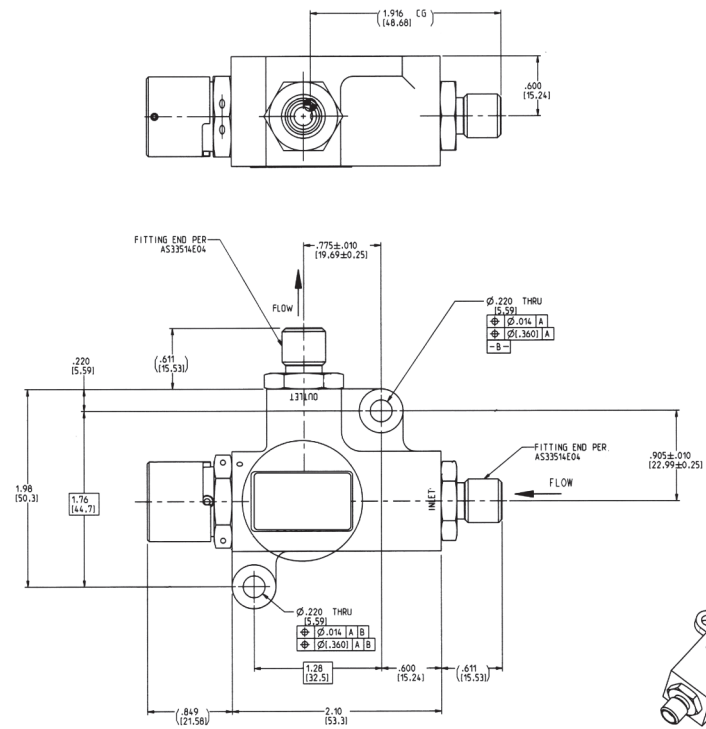
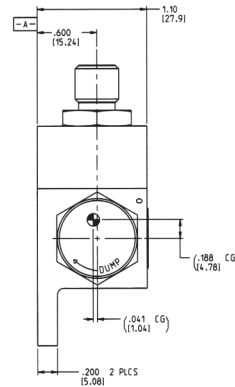
HYDRAULIC SCHEMATIC



CATEGORY 6: MANUAL OPERATED VALVES - MANUAL DUMP WITH THERMAL RELIEF VALVES



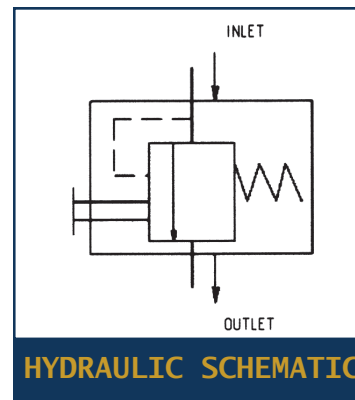
PART NUMBER: 37440-X, DUMP/THERMAL RELIEF VALVE



3-D VIEW
SCALE 1:1

PERFORMANCE SPECIFICATIONS:

FLUIDS: SKYDROL*
 MATERIAL: HOUSING 7075-T73 AL
 TEMPERATURE RANGE: -65°F TO 225°F
 OPERATING PRESSURE: 3000 PSIG
 TRANSIENT PRESSURE (DURING NORMAL OPERATION): 3750 PSIG
 PROOF PRESSURE: 4500 PSIG
 CRACKING PRESSURE: 3600 PSID MIN
 FLOW: RELIEF: 0.24 GPM MIN AT 3750 PSID
 MANUAL DUMP: 0.6 GPM MINIMUM AT 3000 PSID
 RESEAT PRESSURE: 3250 PSID MIN
 INTERNAL LEAKAGE: FOR INCREASING AND DECREASING PRESSURES. 0-3000 PSID
 AND 3000-0 PSID SHALL BE 0.05 CC/MIN MAX (1 DPM MAX)
 MAX TORQUE OF MANUAL DEPRESSURIZATION VALVE: 10 IN-LBS
 WEIGHT: 0.50 LBS MAX
 *OTHER FLUIDS MAY BE ACCEPTABLE WITH ELASTOMER CHANGE

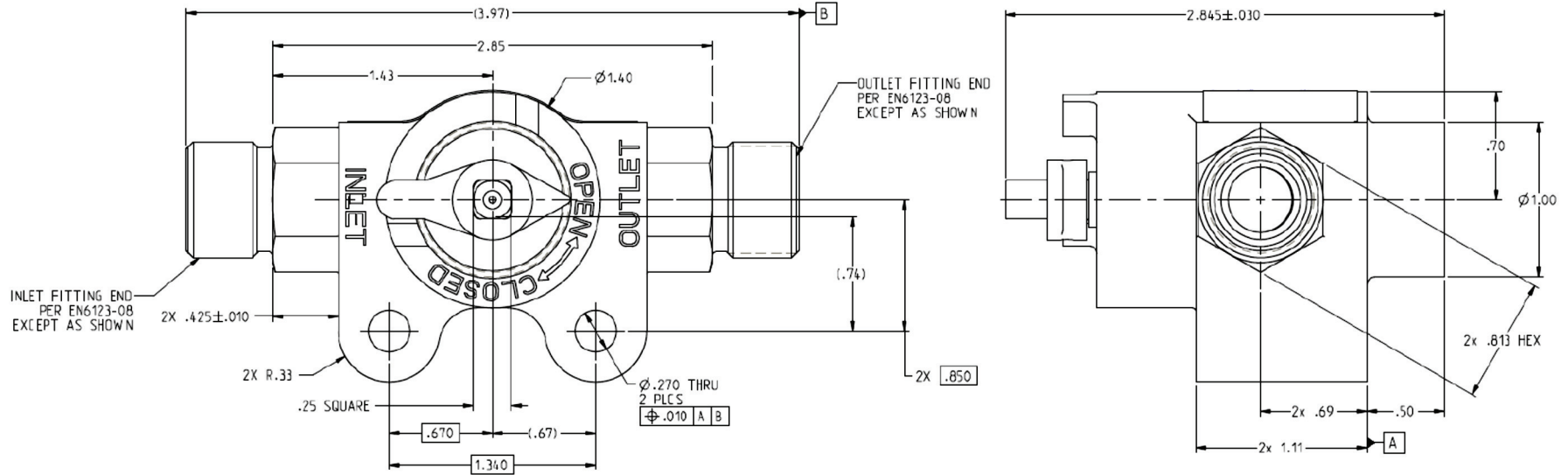


HYDRAULIC SCHEMATIC

CATEGORY 6: MANUAL OPERATED VALVES



PART NUMBER: 37100-X, RUDDER ISOLATION VALVE



PERFORMANCE SPECIFICATIONS:

FLUIDS: PHOSPHATE ESTER TYPE IV AND V*

MATERIAL: HOUSING 6AL-4V TI

TEMPERATURE RANGE: -58°F TO 158°F

OPERATING PRESSURE: 5076 PSIG

PROOF PRESSURE: 7614 PSIG

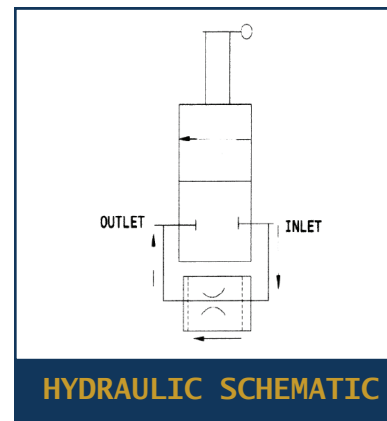
FLOW: 7.92 GPM AT 7.25 PSID MAX

INLET TO OUTLET CONTROLLED LEAKAGE: 50—100 CC/MIN AT 5004 PSID

OPERATING TORQUE (1/4 TURN TO OPEN OR CLOSE): 62 IN-LBS MAX AT 145 PSID

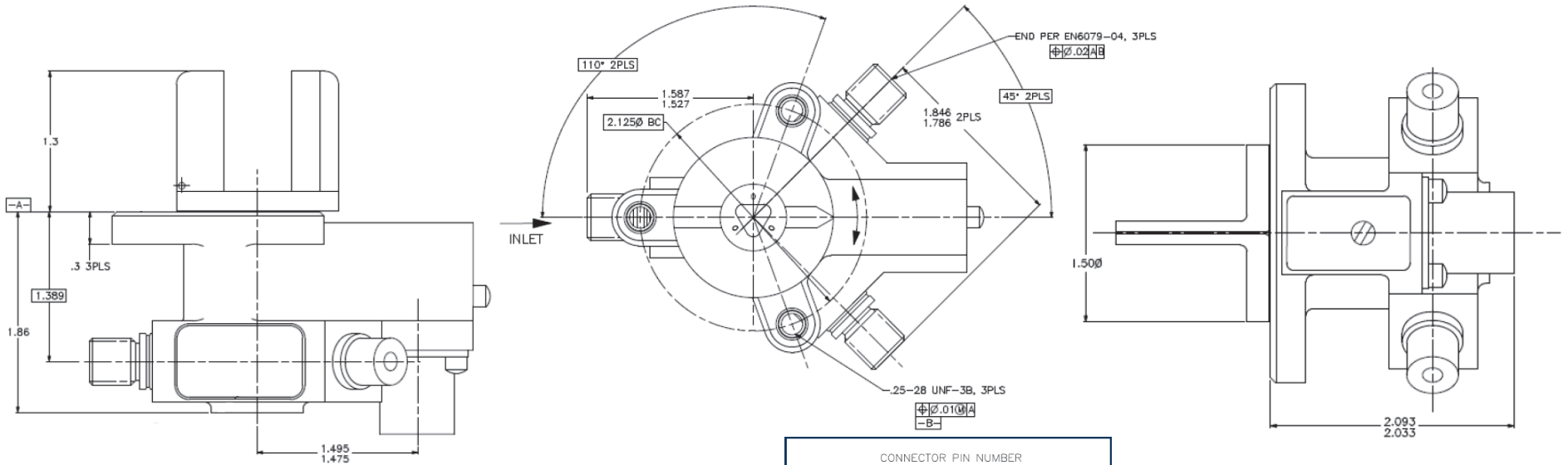
WEIGHT: 1.050 LBS MAX

*OTHER FLUIDS MAY BE ACCEPTABLE WITH ELASTOMER CHANGE



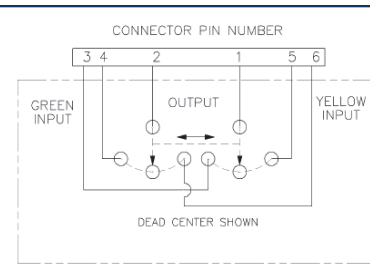


PART NUMBER: 37050-X, FILL SELECTOR VALVE

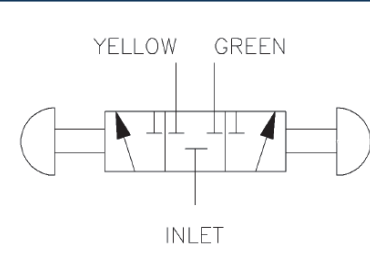


PERFORMANCE SPECIFICATIONS:

FLUIDS: SKYDROL*
 MATERIAL: HOUSING 6061-T6
 TEMPERATURE RANGE: -58°F TO 158°F
 OPERATING PRESSURE: 1015 PSIG
 PROOF PRESSURE: 1530 PSIG
 FLOW: 1.58 GPM MINIMUM AT 22 PSID
 LEAKAGE: 4 DPM MAX AT CLOSED PORTS WITH 290 PSIG AT INLET PORT
 ELECTRICAL: ELECTRICAL CONNECTOR PER EN2997YE01006M7
 DIELECTRIC STRENGTH: 0.5 MILLIAMPS MAX @ 500VAC
 CURRENT: 1.0 AMPS MAX CARRY UP TO 125VAC
 HANDLE TORQUE: OPERATING 10 IN-LBS MAX AT 100 PSID,
 STOPS 110 IN-LBS MAX
 WEIGHT: 0.71 LBS MAX
 *OTHER FLUIDS MAY BE ACCEPTABLE WITH ELASTOMER CHANGE



ELECTRICAL SCHEMATIC



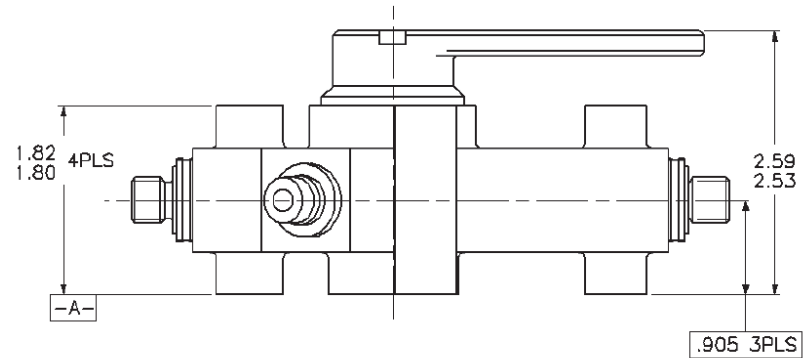
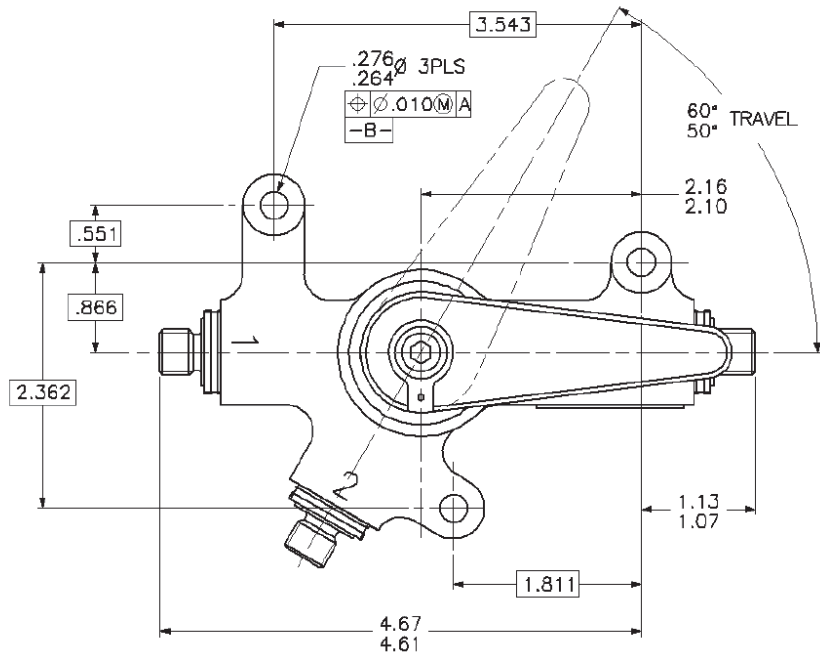
HYDRAULIC SCHEMATIC



CATEGORY 6: MANUAL OPERATED VALVES



PART NUMBER: 37310-X, SELECT VALVE, HIGH PRESSURE



PERFORMANCE SPECIFICATIONS:

FLUIDS: MIL-PRF-83282*

MATERIAL: HOUSING 6AL-4V TI

TEMPERATURE RANGE: -40°F TO 275°F

OPERATING PRESSURE: 4000 PSIG

PROOF PRESSURE: 6000 PSIG

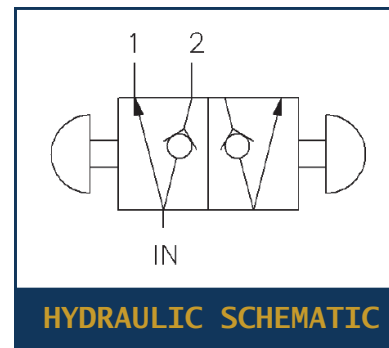
FLOW: PORT "IN" TO "1"; 1 GPM AT 50 PSID MAX
PORT "IN" TO "2"; 1 GPM AT 50 PSID MAX

INTERNAL LEAKAGE: WITH PORT "IN" AT 4000 PSID, CLOSED PORT 25 CC/MIN MAX

SHAFT OPERATING TORQUE: NOT GREATER THAN 45 IN-LBS AT 4000 PSID
NOT LESS THAN 6 IN-LBS AT 0 PSID

WEIGHT: 2.4 LBS MAX

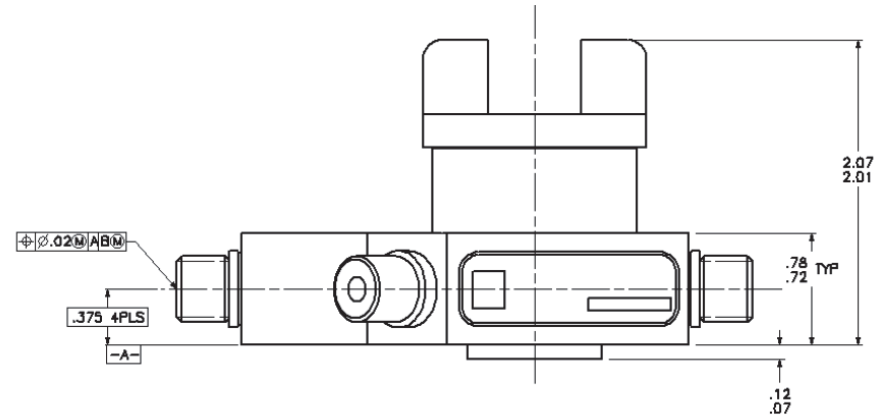
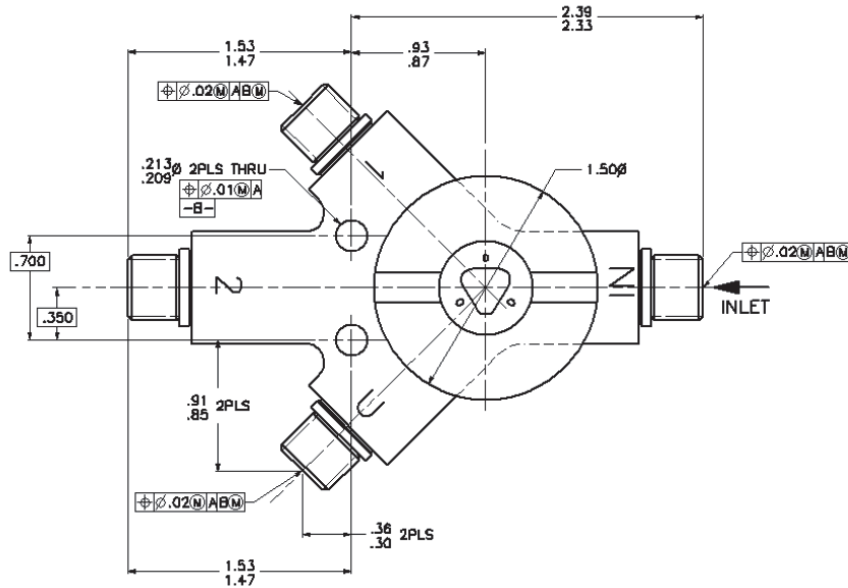
*OTHER FLUIDS MAY BE ACCEPTABLE WITH ELASTOMER CHANGE



CATEGORY 6: MANUAL OPERATED VALVES

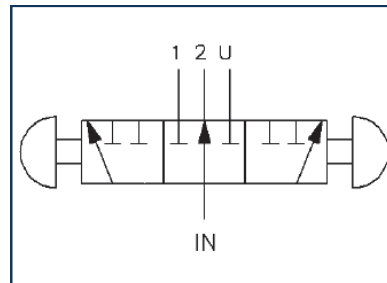


PART NUMBER: 37320-X, SELECT VALVE, LOW PRESSURE



PERFORMANCE SPECIFICATIONS:

FLUIDS: MIL-PRF-83282*
 MATERIAL: HOUSING 6061-T6
 TEMPERATURE RANGE: -40°F TO 275°F
 OPERATING PRESSURE: 300 PSIG
 PROOF PRESSURE: 450 PSIG
 FLOW: 1.5 GPM MINIMUM @ 30 PSID
 LEAKAGE: EXTERNAL: TO BE 1 DROP MAX IN 25 CYCLES AND ZERO DROPS IN 12 HOURS WITH 7.5 ± 2.5 PSIG APPLIED AT INLET PORT
 INTERNAL: TO BE 10 CC/MIN MAX AT CLOSED PORTS WITH 300 PSIG AT INLET PORT
 TORQUE: 20 IN-LBS MAX TO ANY PORT WITH 300 PSIG AT INLET
 6 IN-LBS MINIMUM WITH ZERO PRESSURE ON ALL PORTS
 WEIGHT: 0.44 LBS MAX
 *OTHER FLUIDS MAY BE ACCEPTABLE WITH ELASTOMER CHANGE



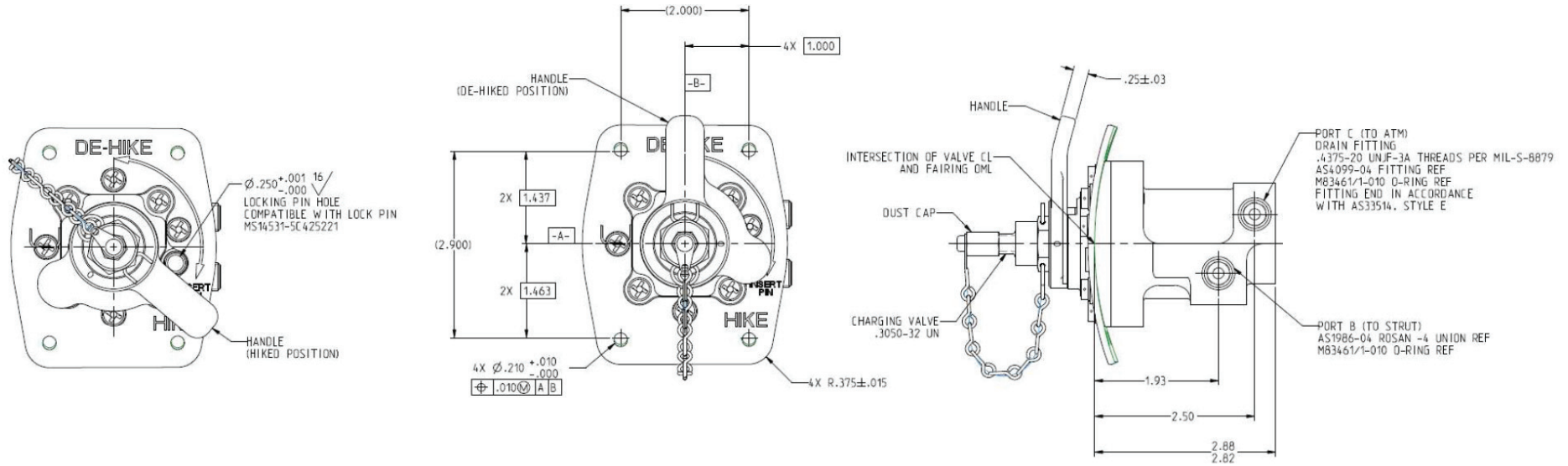
HYDRAULIC SCHEMATIC



CATEGORY 6: MANUAL OPERATED VALVES

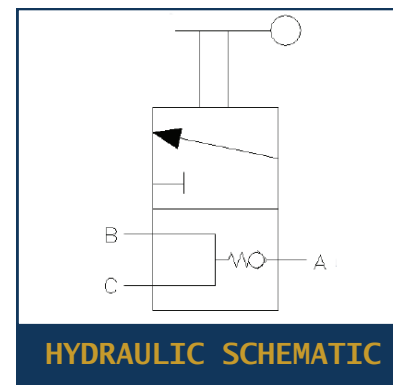


PART NUMBER: 70400-X, HIKE SELECT VALVE



PERFORMANCE SPECIFICATIONS:

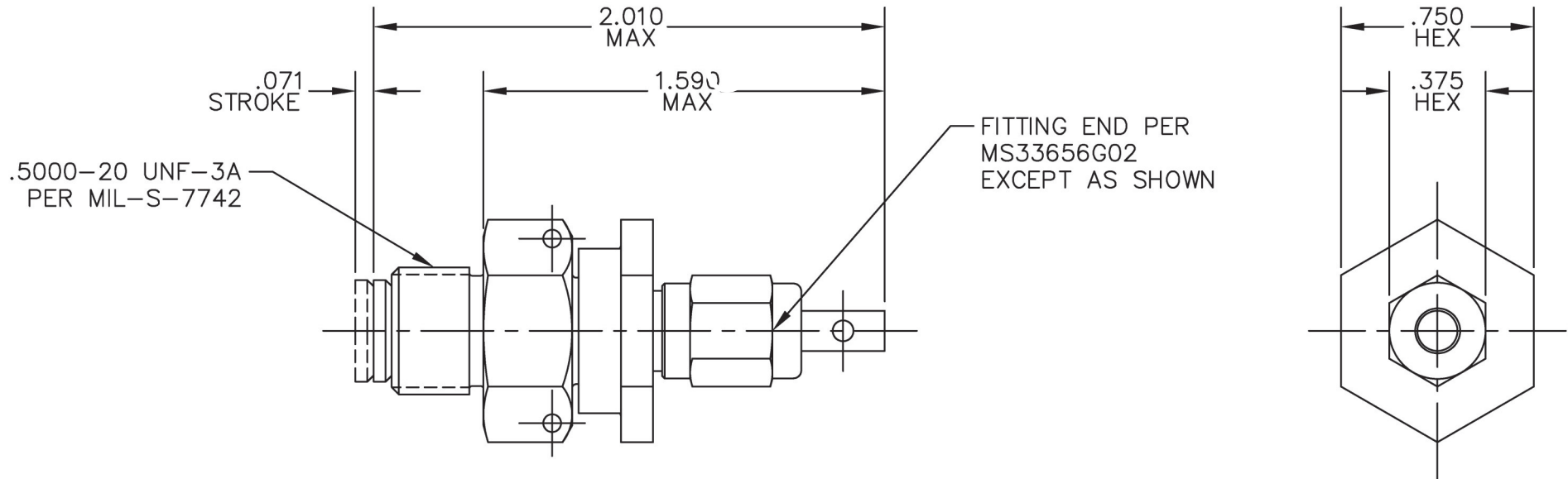
FLUIDS: DRY AIR OR NITROGEN PER MIL-PRF-27401
 MATERIAL: HOUSING 7075-T73 OR 7351
 TEMPERATURE RANGE: -65°F TO 275°F
 OPERATING PRESSURE: 2800 PSIG
 PROOF PRESSURE: 4500 PSIG
 FLOW: PRESSURIZE 110 CUBIC INCHES IN 12 SEC'S (PORT A TO B),
 DEPRESSURIZE 110 CUBIC INCHES IN 9.5 SEC'S (PORT B TO C)
 LEAKAGE: 5 PSIG MAX LOSS OVER 2 HOURS FROM 110 CUBIC INCHES INITIALLY
 PRESSURIZED TO 2000 PSIG
 OPERATING TORQUE (1/4 TURN TO OPEN OR CLOSE): 62 IN-LBS MAX AT 145 PSID
 WEIGHT: 1.80 LBS MAX



CATEGORY 6: MANUAL OPERATED VALVES



PART NUMBER: 2P5160, FILL VALVE



PERFORMANCE SPECIFICATIONS:

FLUIDS: HYDRAZINE BLEND

MATERIAL: BODY 347 CRES

NUT 303SE CRES

TEMPERATURE RANGE: -65°F TO 250°F

OPERATING PRESSURE MINIMUM: -15 PSIG

OPERATING PRESSURE MAXIMUM: 400 PSIG

PROOF PRESSURE: 800 PSIG

FLOW: 5 LB/MIN H₂O AT 4 PSID MAX AT 70°F ± 20°F

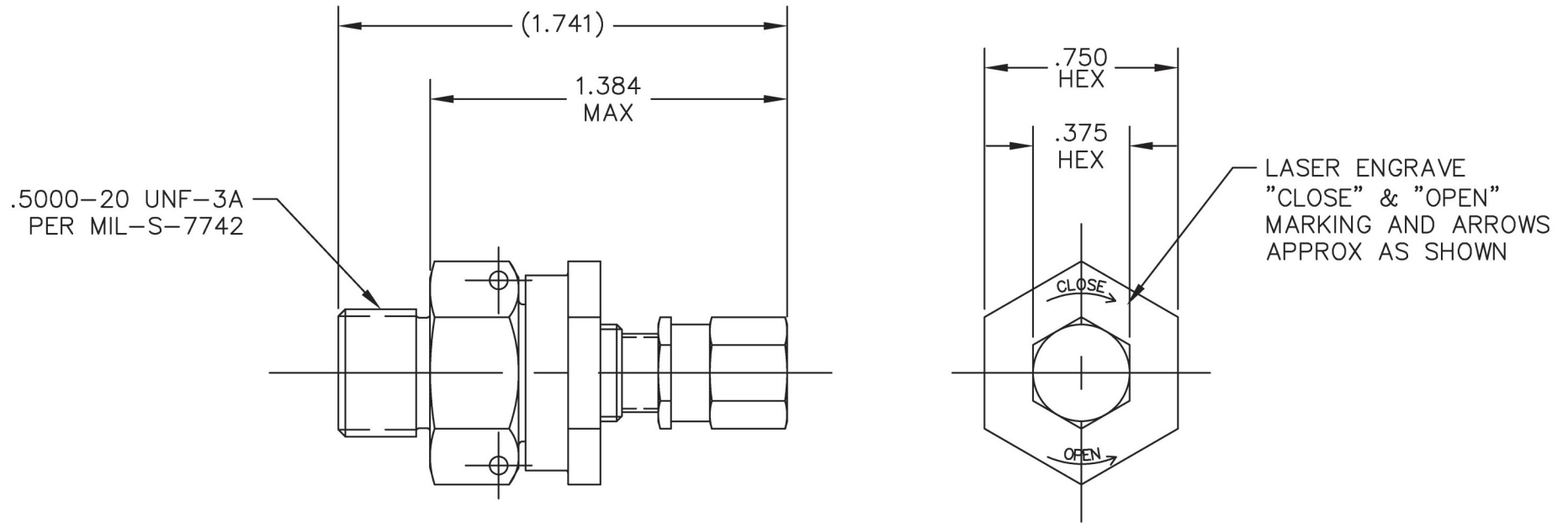
INTERNAL LEAKAGE: ZERO FROM CAP AT 40 IN-LBS WITH VALVE UNSEATED AND 400 PSIG

WEIGHT: 0.12 LBS MAX

CATEGORY 6: MANUAL OPERATED VALVES



PART NUMBER: 2P5164, AIR, HIGH PRESSURE CHARGING VALVE



PERFORMANCE SPECIFICATIONS:

FLUIDS: AIR AND GN₂

MATERIAL: BODY 304 CRES

NUT 303SE CRES

TEMPERATURE RANGE: -65°F TO 250°F

OPERATING PRESSURE MINIMUM: 5000 PSIG

PROOF PRESSURE: 7500 PSIG

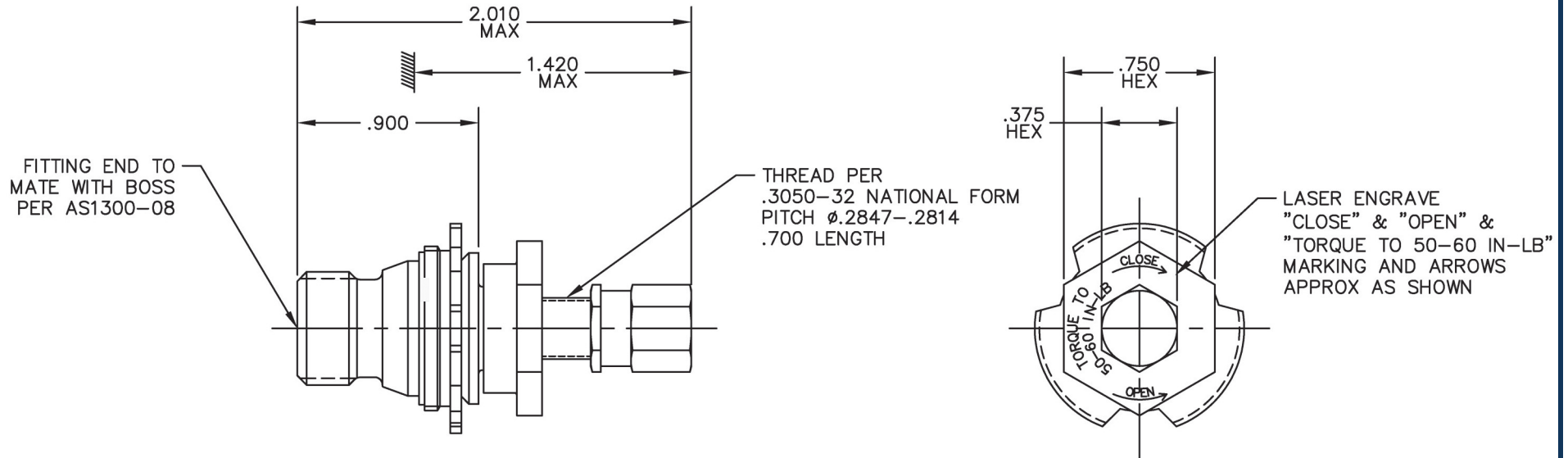
INTERNAL LEAKAGE: ZERO FROM CAP (TORQUED TO 40 IN-LBS)
WITH VALVE UNSEATED AT 5000 PSIG

WEIGHT: 0.12 LBS MAX

CATEGORY 6: MANUAL OPERATED VALVES



PART NUMBER: 2P5184, CHARGING VALVE



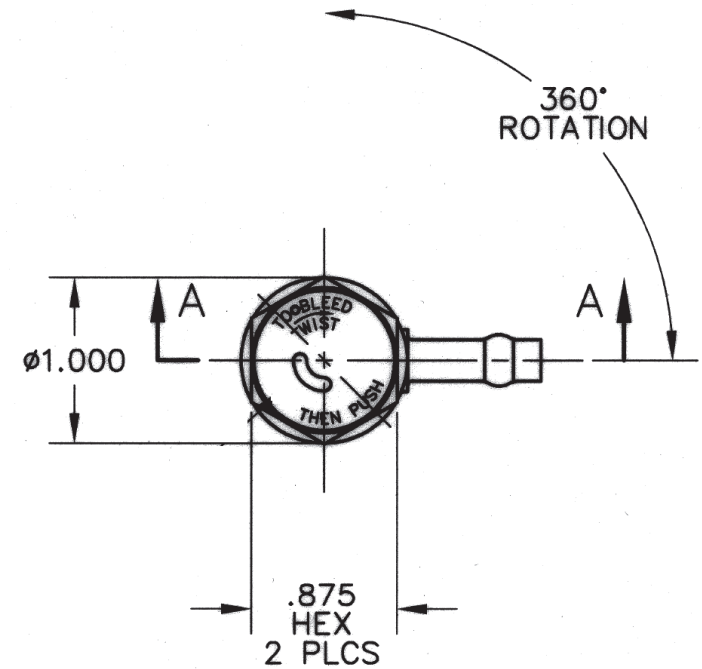
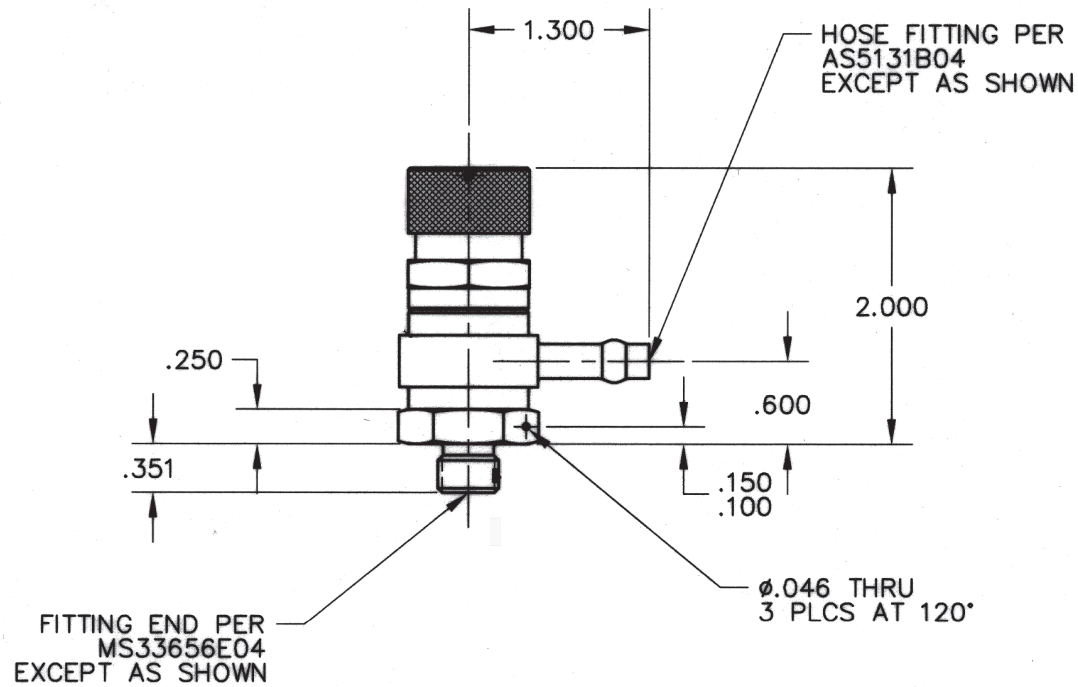
PERFORMANCE SPECIFICATIONS:

FLUIDS: AIR AND NITROGEN
MATERIAL: BODY 17-4PH CRES
NUT 303SE CRES
TEMPERATURE RANGE: -65°F TO 250°F
OPERATING PRESSURE: 5400 PSIG
PROOF PRESSURE: 10800 PSIG
INTERNAL LEAKAGE: NONE FROM 0 TO 5400 PSID WITH NUT TORQUED
TO 55 ± 5 INCH/LBS

CATEGORY 6: MANUAL OPERATED VALVES



PART NUMBER: 2P5352, RELIEF VALVE WITH MANUAL BLEED



PERFORMANCE SPECIFICATIONS:

FLUIDS: HYDRAULIC FLUID PER MIL-PRF-83282 AND MIL-PRF-87257*

MATERIAL: BODY 6061-T651 AL

TEMPERATURE RANGE: -65°F TO 275°F

OPERATING PRESSURE: 45 PSIG

PROOF PRESSURE: 75 PSIG

RELIEF PRESSURE: 40 PSID MIN

RESEAT PRESSURE: 36 PSID MIN

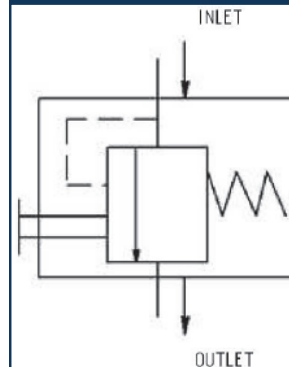
FLOW: 8.0 GPM AT 300 PSID MAX AT 77°F (RELIEF MODE)
1.8 GPM MIN AT 50 PSID MAX AT 77°F (BLEED MODE)

INTERNAL LEAKAGE: ZERO AT 0 TO CRACK ON INCREASING PRESSURE
ZERO AT RESEAT ON DECREASING PRESSURE

WEIGHT: 0.18 LBS MAX

*OTHER FLUIDS MAY BE ACCEPTABLE WITH ELASTOMER CHANGE

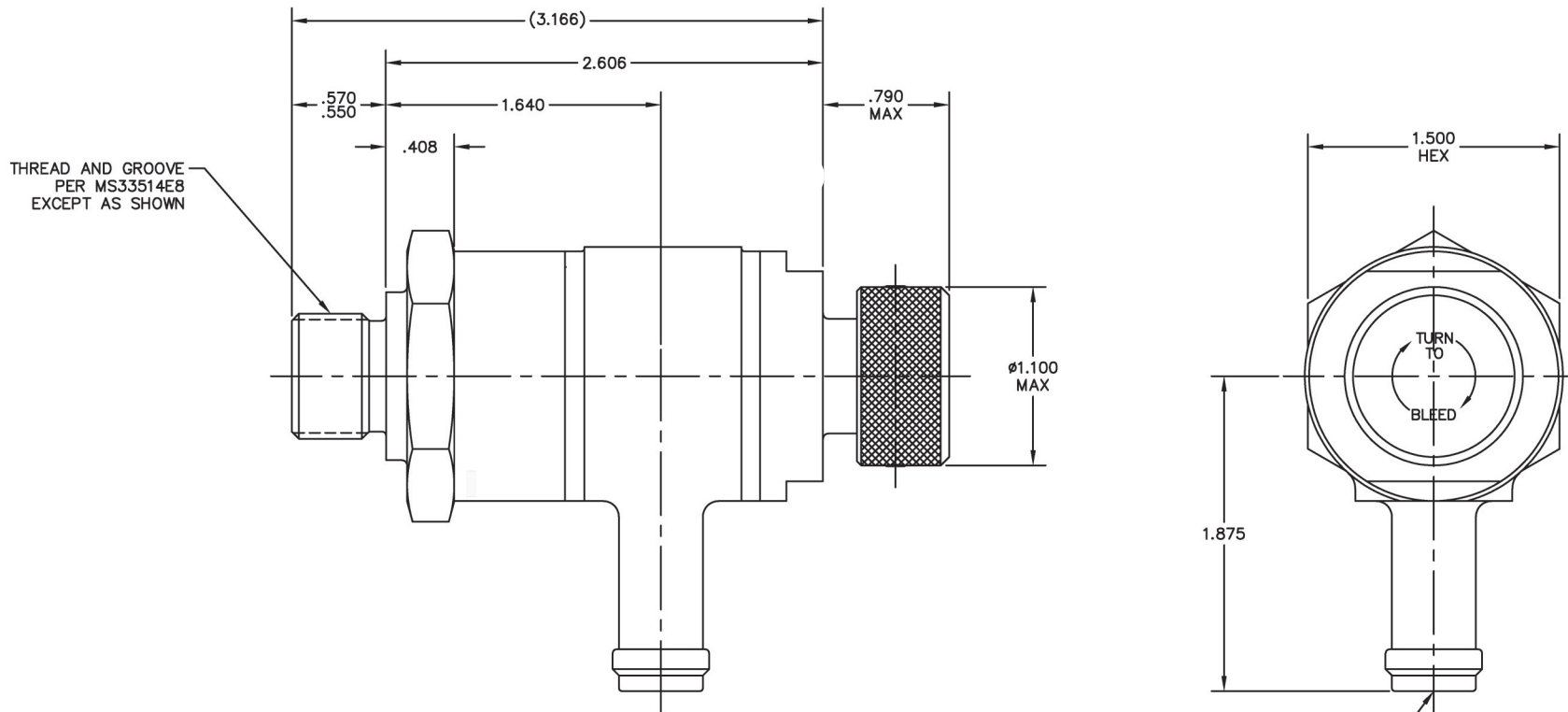
HYDRAULIC SCHEMATIC



CATEGORY 6: MANUAL OPERATED VALVES



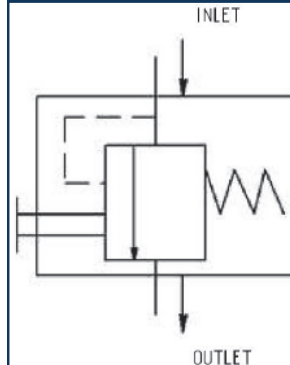
PART NUMBER: 2P5396, RELIEF VALVE WITH MANUAL BLEED



PERFORMANCE SPECIFICATIONS:

FLUIDS: HYDRAULIC FLUID PER MIL-H-83282 AND MIL-PRF-87257*
MATERIAL: BODY 2024-T351 AL
TEMPERATURE RANGE: -65°F TO 275°F
OPERATING PRESSURE: 150 PSIG
PROOF PRESSURE: 225 PSIG
RELIEF PRESSURE: 100 PSID REF
RESEAT PRESSURE: 80 PSID MIN
FLOW: FULL FLOW OF 7 GPM AT 125 PSID MAX (RELIEF MODE)
3 GPM AT 30 PSID MAX AT 24 LBS FORCE MAX (BLEED MODE)
INTERNAL LEAKAGE: ZERO AT 0 TO 55 PSID IN RELIEF DIRECTION
WEIGHT: 0.48 LBS MAX
*OTHER FLUIDS MAY BE ACCEPTABLE WITH ELASTOMER CHANGE

HYDRAULIC SCHEMATIC

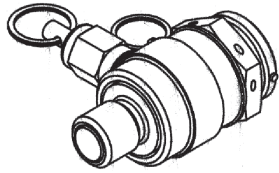


FITTING END PER AS5132-08 EXCEPT AS SHOWN

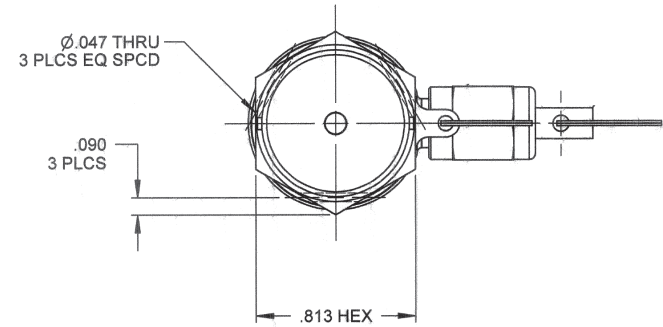
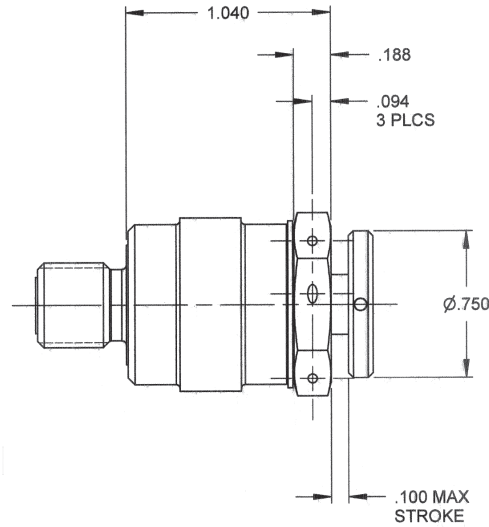
CATEGORY 6: MANUAL OPERATED VALVES



PART NUMBER: 2P5400, BLEED VALVE



ISOMETRIC VIEW
FOR REFERENCE ONLY



PERFORMANCE SPECIFICATIONS:

FLUIDS: SKYDROL*

MATERIAL: BODY 303 CRES

TEMPERATURE RANGE: -65°F TO 225°F

OPERATING PRESSURE: 1550 PSIG

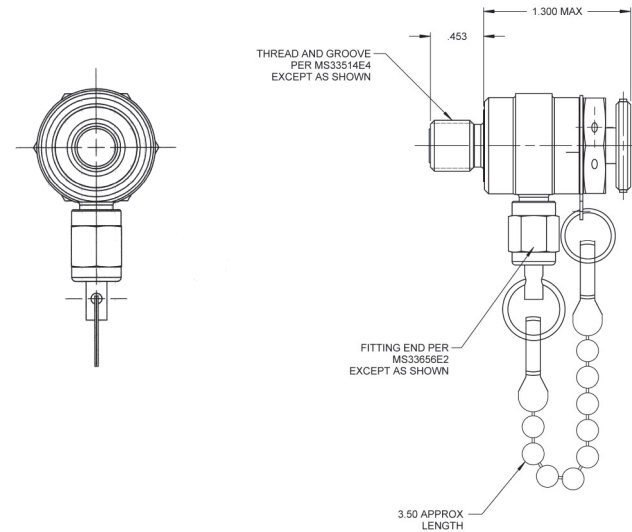
PROOF PRESSURE: 3100 PSIG

INTERNAL LEAKAGE: 1 DPM MAX AT 5 PSID
NONE AT 100 TO 1550 PSID

ACTUATION FORCE: 30 LBS MAX AT 500 PSI SYSTEM PRESSURE
94 LBS MAX AT 1550 PSI SYSTEM PRESSURE

WEIGHT: 0.19 LBS MAX

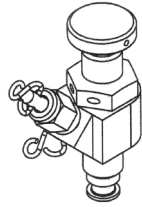
*OTHER FLUIDS MAY BE ACCEPTABLE WITH ELASTOMER CHANGE



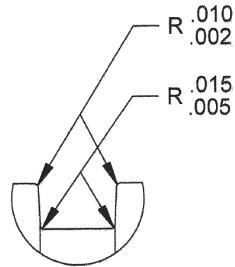
CATEGORY 6: MANUAL OPERATED VALVES



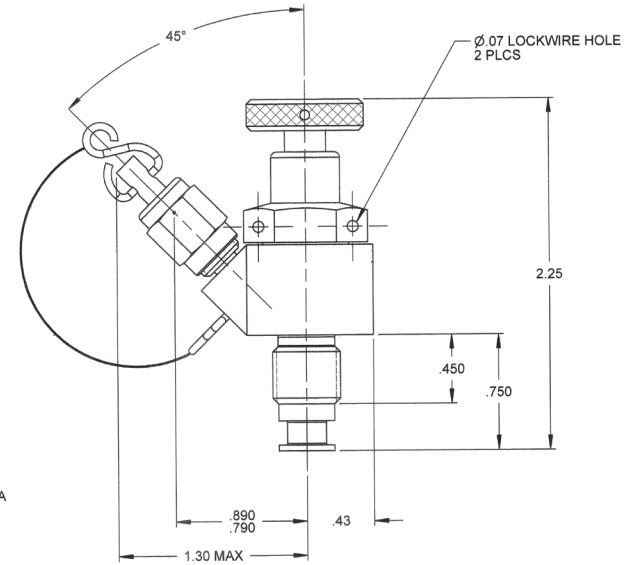
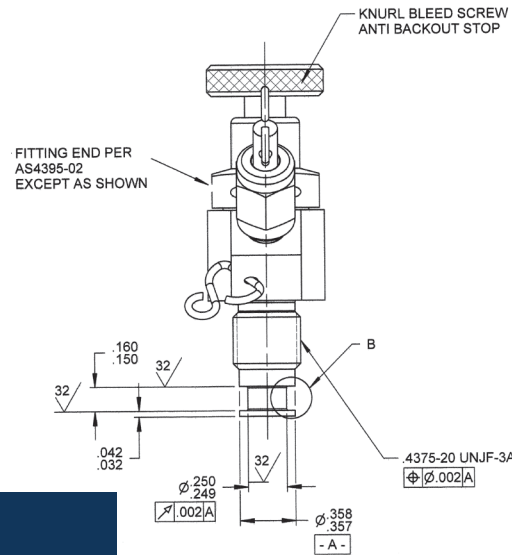
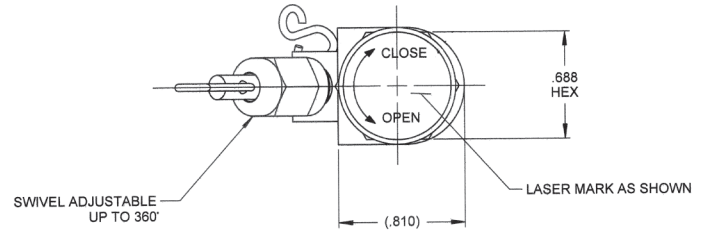
PART NUMBER: 2P5406, SAMPLING VALVE



ISOMETRIC VIEW
FOR REFERENCE ONLY



DETAIL B
SCALE: NONE



PERFORMANCE SPECIFICATIONS:

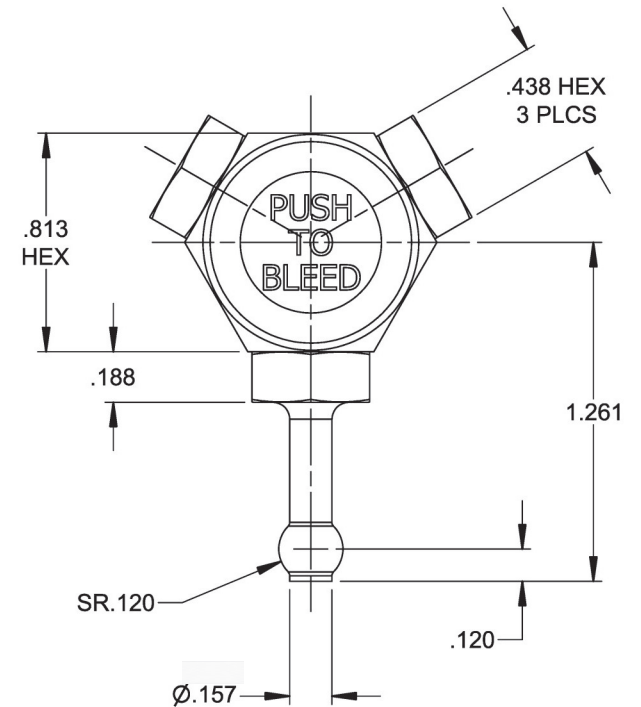
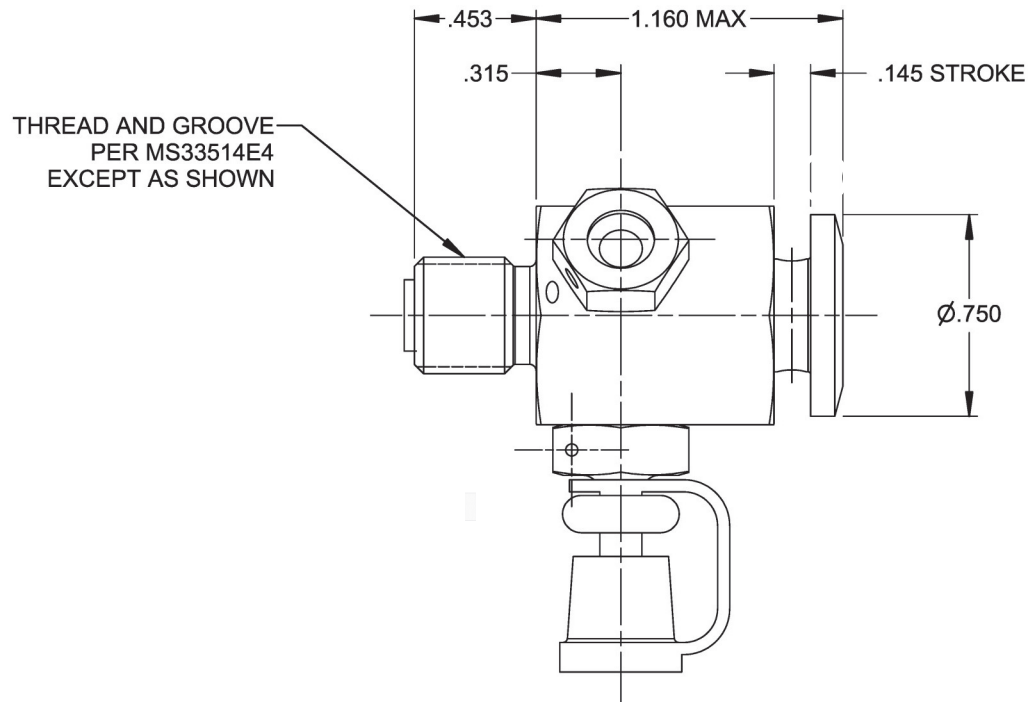
FLUIDS: PHOSPHATE ESTER BASE FLUID PER NSA 307110 TYPE IV OR V*
MATERIAL: BODY 15-5PH CRES
TEMPERATURE RANGE: -40°F TO 200°F
OPERATING PRESSURE: 5076 PSIG
PROOF PRESSURE: 7614 PSIG
FLOW: 200 CC/MIN AT 35 PSID MAX AT 68°F
INTERNAL LEAKAGE: NONE IN CLOSED POSITION FROM 0 TO 5076 PSID
WEIGHT: 0.22 LBS MAX

*OTHER FLUIDS MAY BE ACCEPTABLE WITH ELASTOMER CHANGE

CATEGORY 6: MANUAL OPERATED VALVES



PART NUMBER: 2P5418, BLEED VALVE



PERFORMANCE SPECIFICATIONS:

FLUIDS: SKYDROL*

MATERIAL: BODY 2024-T351 AL

TEMPERATURE RANGE: -65°F TO 275°F

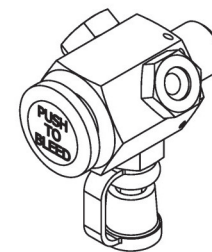
OPERATING PRESSURE: 1500 PSIG

PROOF PRESSURE: 2250 PSIG

INTERNAL LEAKAGE: NONE AT 5 TO 1500 PSID

WEIGHT: 0.079 LBS MAX

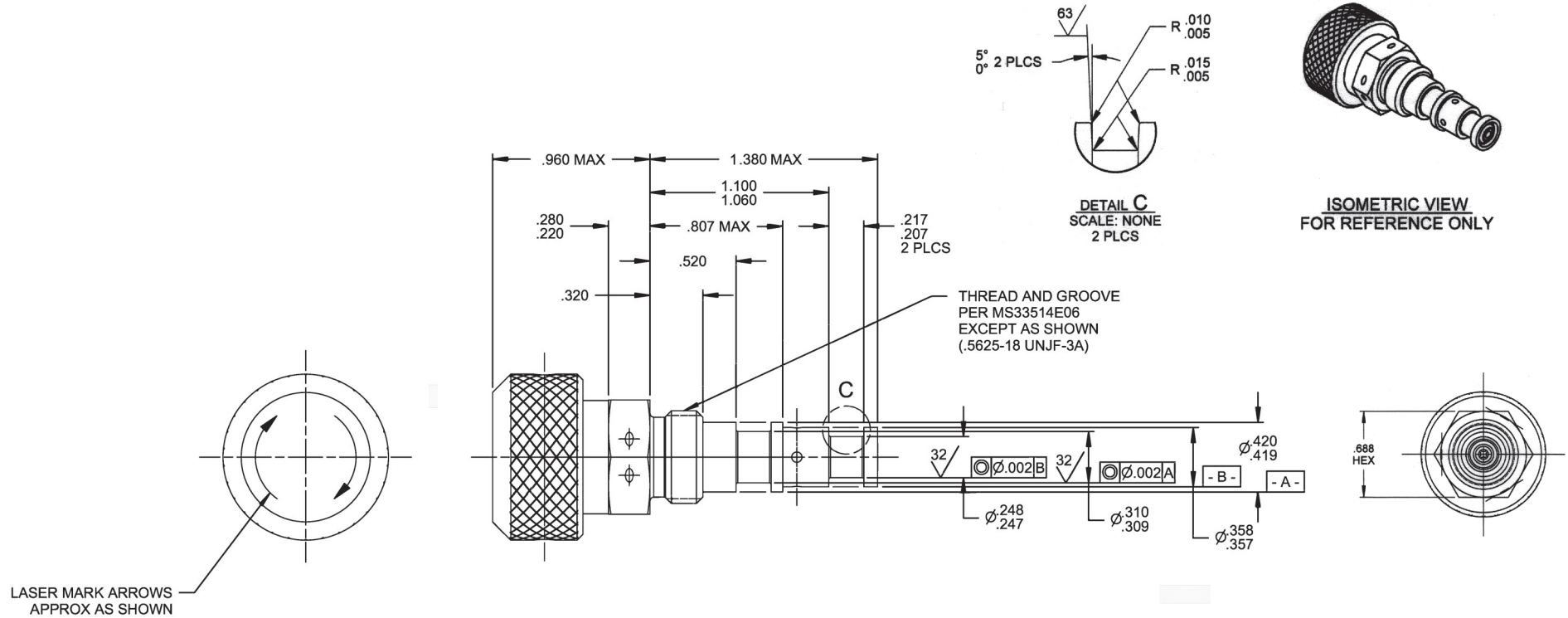
*OTHER FLUIDS MAY BE ACCEPTABLE WITH ELASTOMER CHANGE



ISOMETRIC VIEW FOR REFERENCE ONLY



PART NUMBER: 2P5472, ACCUMULATOR FILL VALVE



PERFORMANCE SPECIFICATIONS:

FLUIDS: HYDRAULIC FLUID PER MIL-H-83282*

MATERIAL: BODY 17-4PH CRES

POPPET 440C CRES

TEMPERATURE RANGE: -65°F TO 275°F

OPERATING PRESSURE: 3100 PSIG

PROOF PRESSURE: 4500 PSIG

FLOW: 0.6 IN³ IN 2 SECONDS

INTERNAL LEAKAGE: 1 DPH MAX AT 3100 PSIG

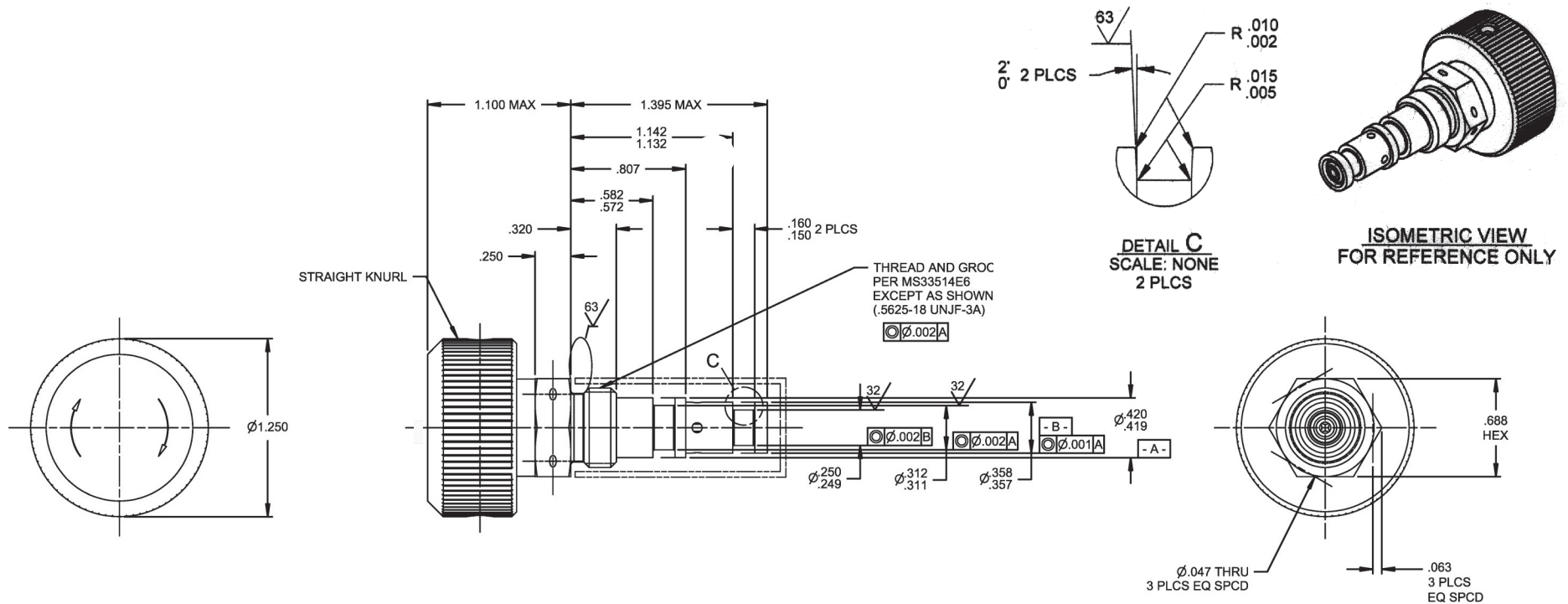
WEIGHT: 0.40 LBS MAX

*OTHER FLUIDS MAY BE ACCEPTABLE WITH ELASTOMER CHANGE

CATEGORY 6: MANUAL OPERATED VALVES

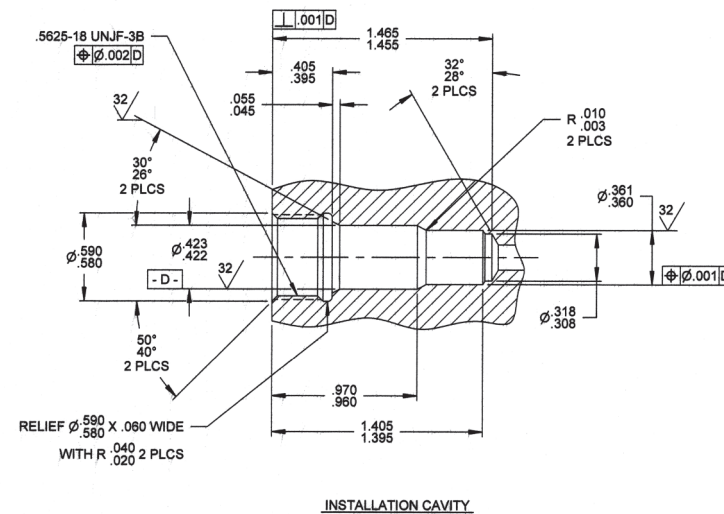


PART NUMBER: 2P5506, MANUAL DECOMPRESSION VALVE



PERFORMANCE SPECIFICATIONS:

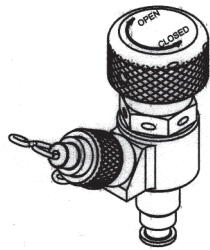
FLUIDS: PHOSPHATE ESTER FLUID TYPE IV OR TYPE V PER NSA 307110*
 MATERIAL: BODY: 15-5PH CRES
 POPPET 440C CRES
 TEMPERATURE RANGE: -104°F TO 203°F
 OPERATING PRESSURE: 5075 PSIG
 PROOF RETURN PRESSURE: 5075 PSIG
 PROOF SUPPLY PRESSURE: 8700 PSIG
 FLOW: 3.2 GPM MINIMUM AT 5075 PSIG SUPPLY, 174 PSIG
 RETURN AND FLUID TEMPERATURE OF 100°F
 INTERNAL LEAKAGE: 1 DPM MAX AT (5075 PSIG) SUPPLY AND ZERO RETURN
 WEIGHT: 0.20 LBS MAX
 *OTHER FLUIDS MAY BE ACCEPTABLE WITH ELASTOMER CHANGE



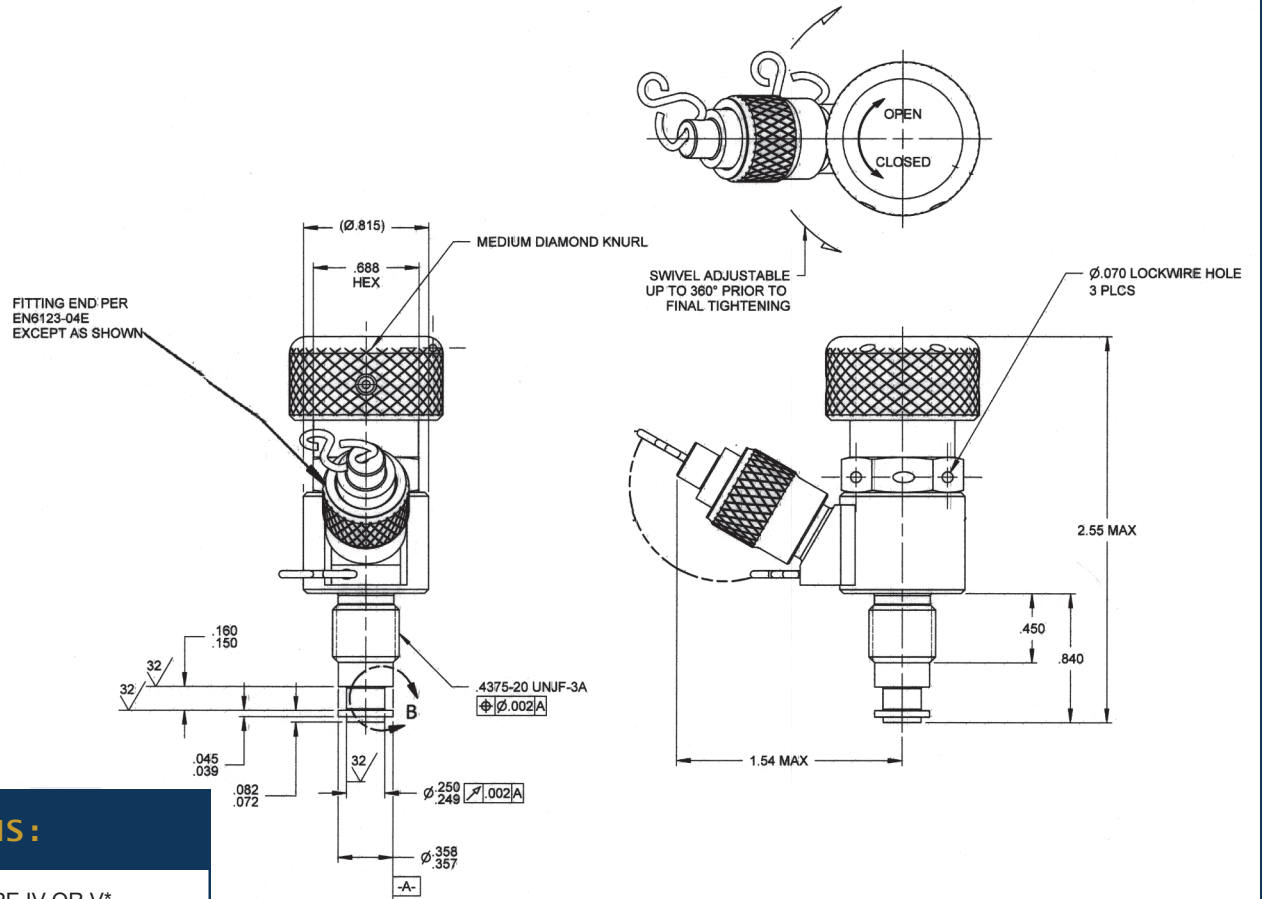
CATEGORY 6: MANUAL OPERATED VALVES



PART NUMBER: 2P5524, SAMPLING VALVE



ISOMETRIC VIEW
FOR REFERENCE ONLY



PERFORMANCE SPECIFICATIONS:

FLUIDS: PHOSPHATE ESTER BASE FLUID PER NSA 307110 TYPE IV OR V*
 MATERIAL: BODY 15-5PH CRES
 POPPET VESPEL SP-1
 TEMPERATURE RANGE: -65°F TO 275°F
 OPERATING PRESSURE: 5076 PSIG
 PROOF PRESSURE: 7614 PSIG
 FLOW: 150 TO 400 CC/MIN AT 5076 PSID MAX AT 68°F
 INTERNAL LEAKAGE: NONE IN CLOSED POSITION FROM 0 TO 5076 PSID
 WEIGHT: 0.31 LBS MAX
 *OTHER FLUIDS MAY BE ACCEPTABLE WITH ELASTOMER CHANGE

CATEGORY 6: MANUAL OPERATED VALVES



CRISSAIR HAS VARIOUS OTHER MANUAL/ROTARY SHUTOFF VALVES NOT LISTED IN THE CATALOG WITH DIFFERENT MATERIALS, FITTINGS, AND SIZE CONFIGURATIONS.

CONTACT CRISSAIR FOR ADDITIONAL INFORMATION/DRAWINGS AT

(661) 367-3300 OR SALES@CRISSAIR.COM.

YOU CAN ALSO VISIT WWW.CRISSAIR.COM.